

# product catalog

Mini Conveyors • Rotary Table Accumulators • Uni-Mate™



**Mini-Mover Conveyors**  
division of Whipple Enterprises

Proudly made in the USA

# MINI-MOVER CONVEYORS

*division of Whipple Enterprises*

Since 1949. Proudly made in the USA.

We began operation in 1949 as Whipple Enterprises, making precision parts and assemblies for the medical, electronics and aerospace industries. In the process of automating our parts handling from high-volume machining equipment, the company sought -- but could not find in the marketplace-- cost-effective, compact conveyors that could meet its needs.

After finding limited product offerings on the conveyor market at that time, our engineering staff then developed its own low-profile conveyor design, incorporating these stringent requirements: rapid installation, low maintenance and able to withstand the harsh production machine shop environment.

Initially, our modular mini conveyors were intended only for internal use, to automate and increase productivity on various manufacturing functions. But soon, seeing the widespread demand for such comprehensive solutions in the marketplace, Whipple Enterprises released its Mini-Mover conveyors publicly with immediate success. Through continuing market input and customer demand, Mini-Mover Conveyor product offerings continue to expand, now including its rotary tables, product accumulation solutions and accessories.

Today, Mini-Mover Conveyor units serve many industry sectors including packaging, assembly automation, metal stamping, product labeling and food processing. Mini-Mover products are manufactured at our facilities in Northern California. A complete stock of components is maintained to allow orders to be built and shipped quickly, anywhere in the US and Canada.

All Mini-Mover conveyors are built to the highest quality standards and are fully warranted. We believe in developing long-term business relationships that build trust, confidence, and the assurance that you will get the right product and services for your application.

For fast, courteous service -- for requesting a quote, placing an order, obtaining product specifications or gaining application assistance before and after the purchase:

Phone 800-586-4585  
Fax 866-900-5124  
Web [www.mini-mover.com](http://www.mini-mover.com)

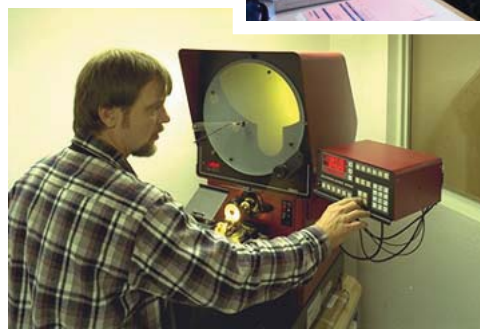


Modern, automated manufacturing & assembly facility



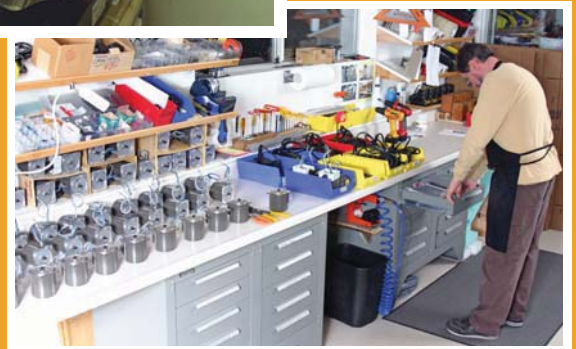
Precision components through state-of-the-art machining & finishing processes

Expert assistance from applications engineering



Quality assured with documented cycle audits & 100% finished product inspection

Rapid delivery & cost control through volume build-outs & efficient assembly procedures



**Mini-Mover Conveyors**  
*division of Whipple Enterprises*

21150 Shake Ridge Road, Volcano, CA 95689 USA

# CONTENTS

PAGE

Table of Contents	i - ii
Explore the Possibilities	1

## Lite Series

Economical  
Machine-Shop Tough  
Integral Side Guides



### Conveyors: Lite Series Modules

Platform Highlights	2
Product Dimensions	3

### Conveyor Model Selection Guide

Conveyor Ordering Guide	6
• Module Selection	7
• Belting Selection	8
• Drive Selection	9
Drive Package Options	10

### Conveyor Accessories

Drive Options & Accessories	16
Product Positioning Fixtures	17
Conveyor Mounts	18
Conveyor Stands	19

## Low Profile (LP) Series

Very Low Profile  
Modular Design  
Ideal for Limited Space



### Conveyors: LP Series Modules

Platform Highlights	4
Product Dimensions	5

### Conveyor Model Selection Guide

Conveyor Ordering Guide	6
• Module Selection	7
• Belting Selection	8
• Drive Selection	9
Drive Package Options	10

### Conveyor Accessories

Drive Options & Accessories	16
Product Positioning Fixtures	17
Conveyor Mounts	18
Conveyor Stands	19

# CONTENTS

PAGE

## Rotary Table Accumulator (RTA)

### Accumulators: RTA Series

20	12-inch - 60-012
20	16-inch - 60-016
20	24-inch - 60-024
20	32-inch - 60-032
20-21	48-inch - 60-048
21	RTA-Specific Options



Unattended Operation  
 Sorting and Inspection  
 Surge-Table Function

## Uni-Mate™

### Uni-Mate™ Family

22	24-inch - 80-024
22	32-Inch - 80-032
22	48-Inch - 80-048
22	Options (conveyor and table)



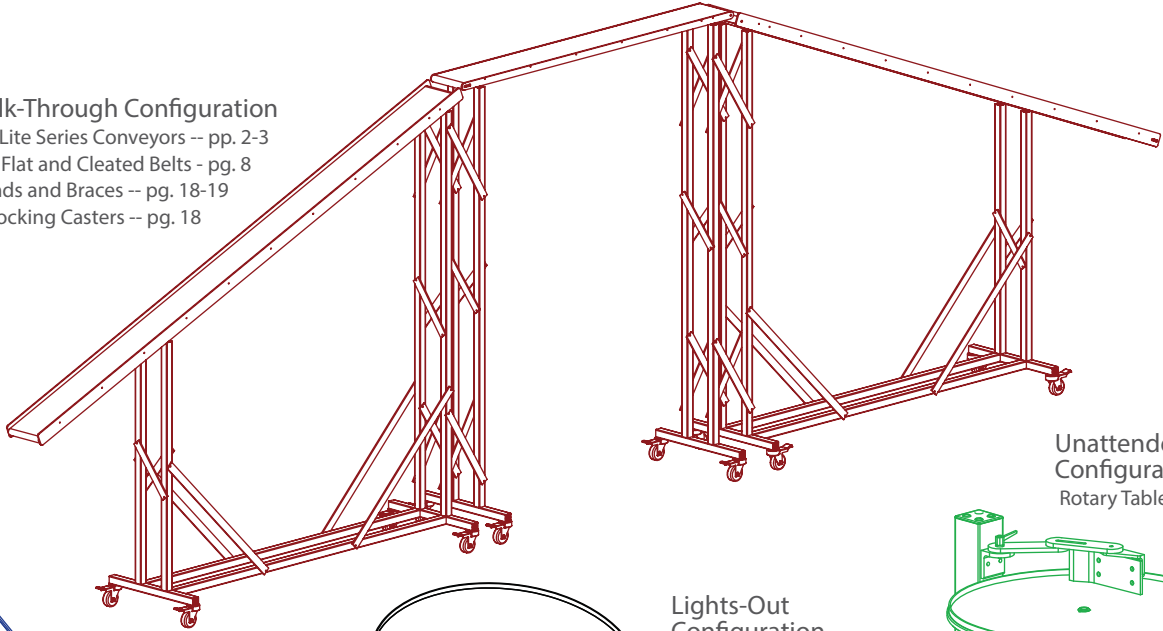
**UniMate™**

Low-Cost Bundle  
 Overnight Operations  
 Portable & Easy Setup  
 Reduces Labor & Scrap

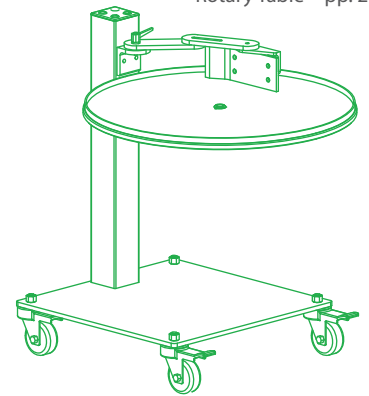
Our material handling products and accessories can combine to meet many application and floor-space requirements. Browse our catalog for the optimal solution for your needs. Not sure? Call us for expert assistance at 800-586-4585.

**Walk-Through Configuration**

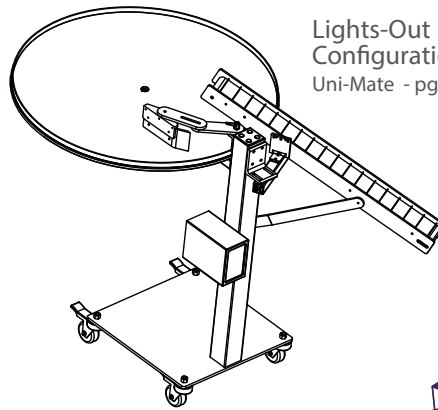
Lite Series Conveyors -- pp. 2-3  
 Flat and Cleated Belts - pg. 8  
 Leg Stands and Braces -- pg. 18-19  
 Locking Casters -- pg. 18



**Unattended Configuration**  
 Rotary Table - pp. 20-21

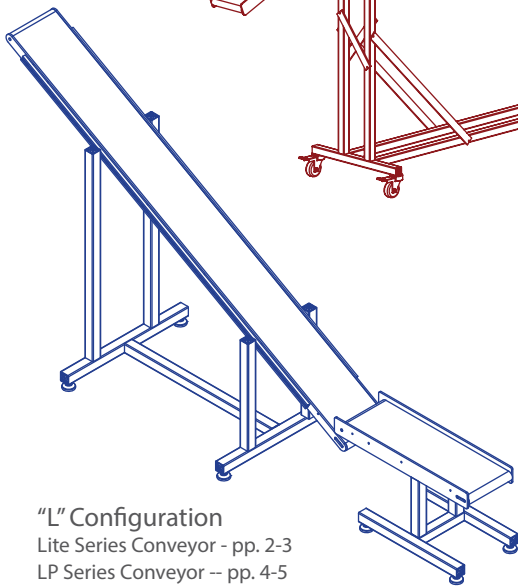


**Lights-Out Configuration**  
 Uni-Mate - pg. 22



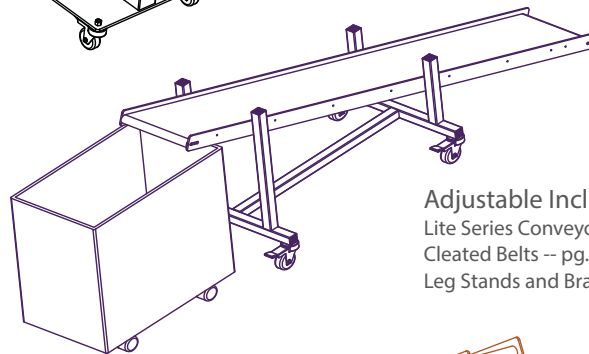
**"L" Configuration**

Lite Series Conveyor - pp. 2-3  
 LP Series Conveyor -- pp. 4-5  
 Flat and Cleated Belts - pg. 8  
 Leg Stands and Braces -- pg. 18-19



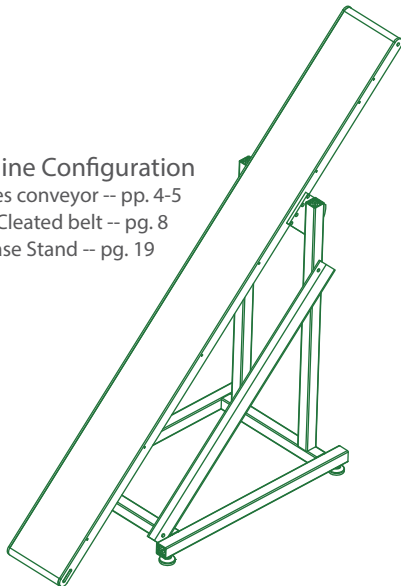
**Adjustable Incline Configuration**

Lite Series Conveyors -- pp. 2-3  
 Cleated Belts -- pg. 8  
 Leg Stands and Braces -- pg. 18-19



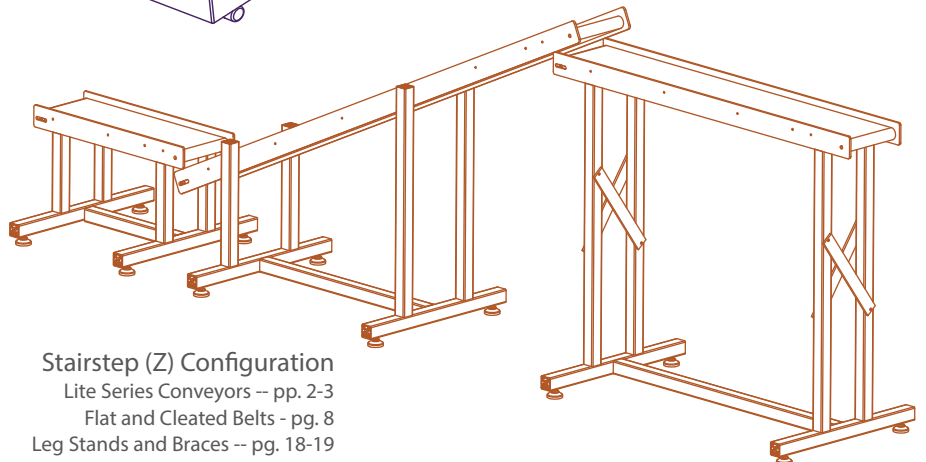
**Incline Configuration**

LP Series conveyor -- pp. 4-5  
 Cleated belt -- pg. 8  
 Turned Base Stand -- pg. 19



**Stairstep (Z) Configuration**

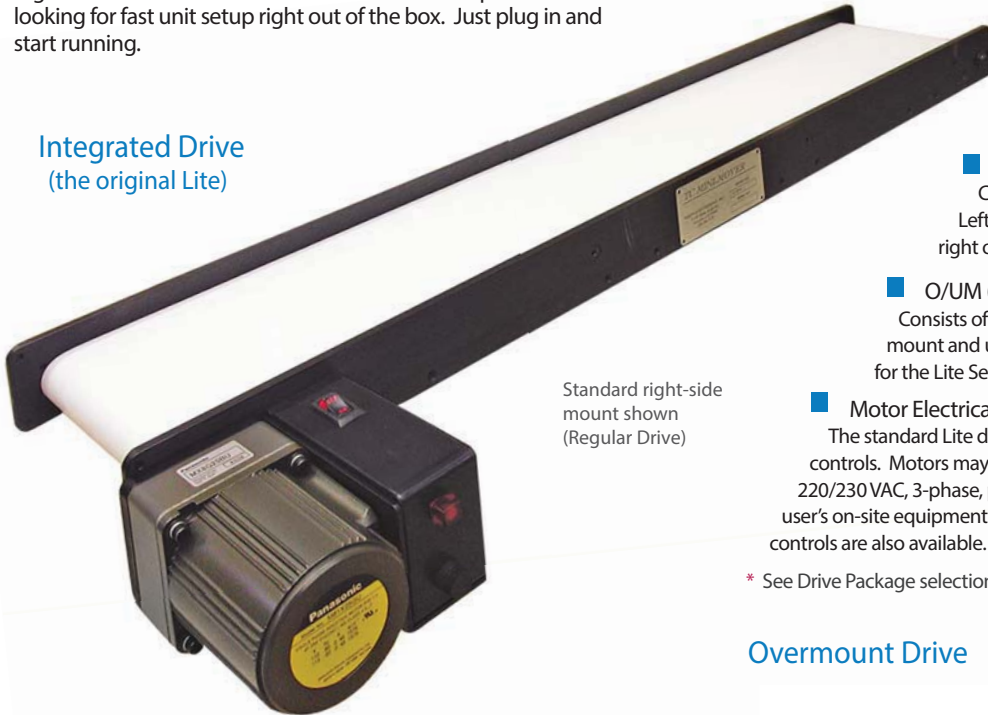
Lite Series Conveyors -- pp. 2-3  
 Flat and Cleated Belts - pg. 8  
 Leg Stands and Braces -- pg. 18-19



## Lite Series Highlights

- **Rugged Construction.** Its tough frame stands up to dirty grease, grime and hard production use.
- **Integral Side Guides.** Save money on extra hardware with the Lite's built-in product guidance capability.
- **Ready to Run.** Our original Integrated Drive Lite includes an integral drive package – no tools or installation needed. A great solution for non-technical users and for experienced users looking for fast unit setup right out of the box. Just plug in and start running.

### Integrated Drive (the original Lite)



Standard right-side  
mount shown  
(Regular Drive)

- **Overmount and Undermount (O/UM) Drives.** Now added to the catalog by popular demand, we offer a complete array of over- and undermount drive package options for the Lite Series. User installation of the drive package is required.

### Undermount Drive



Y-Style Undermount  
shown (Regular Drive)

Lite Frame:	2.50 inch high, hard-black-anodized aluminum
Side Guides:	0.70 inch high integral side guides
Slider Bed:	0.375 inch polished aluminum
Pulleys:	1.25 inch dia. precision crowned aluminum
Pulley Bearings:	Ball bearing, doubled-sealed for life
Load Capacity:	150 lbs maximum (capacity is affected by drive speed; see Gearmotor Selection, Section E on pg. 9 for details.)

### Drive Package Selection \*

- **Integrated Drive Lite Packages (standard):**  
Consists of gearmotor, controls and right-side mount. Left-side mount, is available on request. Ready to run right out of the shipping carton.
- **O/UM ( Over/Under Mount) Drive Packages (optional):**  
Consists of gearmotor, controls and hardware. Various overmount and undermount (O/UM) drive packages are available for the Lite Series.
- **Motor Electrical & Control Options:**  
The standard Lite drive package is 115/60/1 VAC with fixed-speed controls. Motors may also be supplied in other combinations such as 220/230 VAC, 3-phase, pneumatic and/or brushless DC, according to the user's on-site equipment and electrical requirements. Variable-speed controls are also available.

\* See Drive Package selection guides on pp. 9-15.

### Overmount Drive



Z-Style Overmount  
shown (Regular Drive)

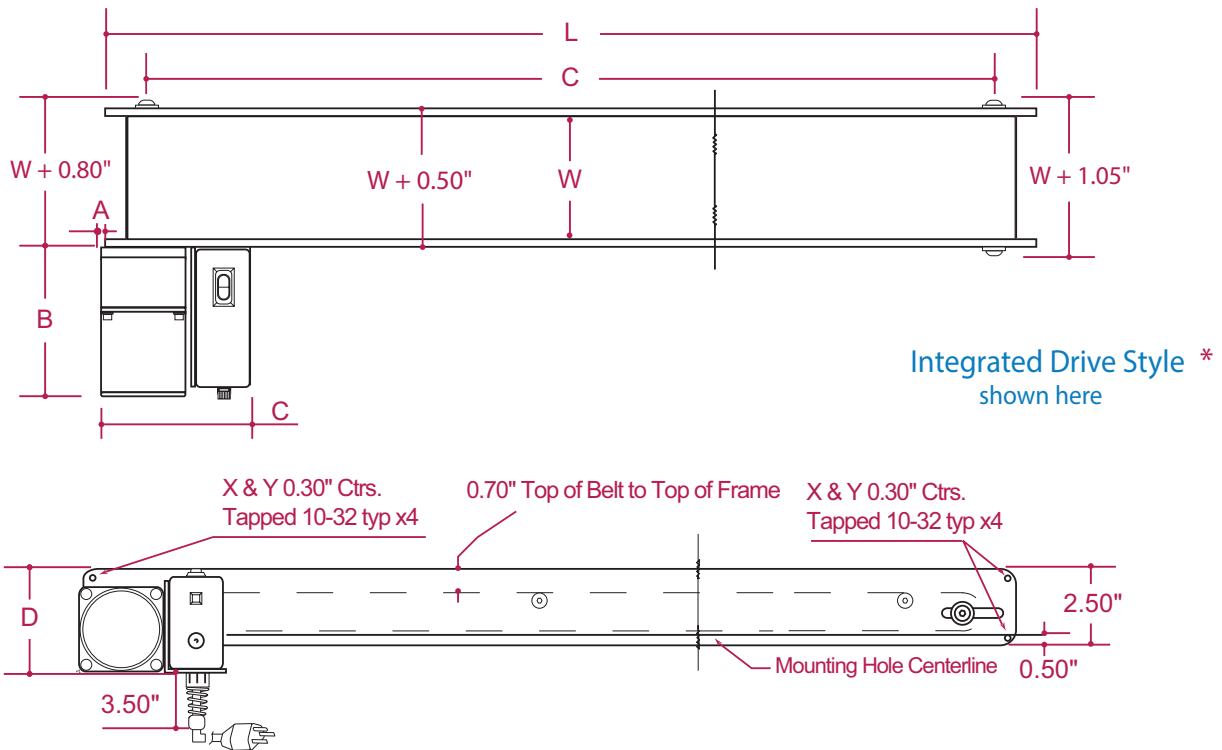
### Conveyor Belting Selection \*

Lite Series conveyors have a wide variety of flat and cleated belting options available. Unless otherwise specified, Lite conveyors ship with flat U1-Style all-purpose white belting as shown above. U1-style belting performs well for most applications. This catalog also lists our most popular flat and cleated alternatives to U1 material.

To verify the optimal belting solution for the end application, please consult with your representative. We have many additional belting and cleat options not included in this catalog.

\* See Belting Selection guide on pg. 8.

### Lite Series Dimensions



#### Standard Widths

Model No. Width Reference	Conveyor Width (W)
02	1.90"
03	2.90"
04	3.90"
06	5.90"
08	7.90"
10	9.90"
12	11.90"
14	13.90"
16	15.90"

#### Integrated Drive Dimensions by HP \*

HP	A	B	C	D
1/30	0.20"	4.97"	5.19"	3.57"
1/18	0.39"	6.00"	5.57"	3.88"
1/8	0.39"	8.18"	5.57"	3.88"

\* Regular Drive dimensions. See pg. 10 for Compact Drive dimensions

**\* Undermount and Overmount Drive Styles**  
Dimension drawings of the optional Overmount and Undermount Regular and Compact drive package options are shown on pp. 10 -15.

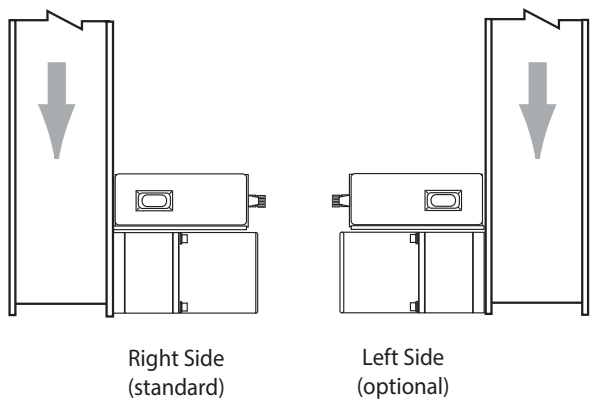
#### Lite Series - Standard Lengths

Model No. Length Reference	Actual Conveyor Length (L)	Pulley Centers (C) *
012	12.88"	10.62"
018	18.68"	16.15"
024	24.50"	21.92"
030	30.52"	27.79"
036	36.52"	33.98"
042	42.50"	39.80"
048	48.76"	46.04"
060	60.75"	57.85"
072	72.99"	69.91"
084	85.23"	82.00"
096	97.47"	94.06"
108	109.47"	106.12"
120	121.50"	118.18"
132	133.50"	130.24"
144	145.50"	142.30"

\* Approximate; measurements can vary depending on belting used on unit

#### Drive Side

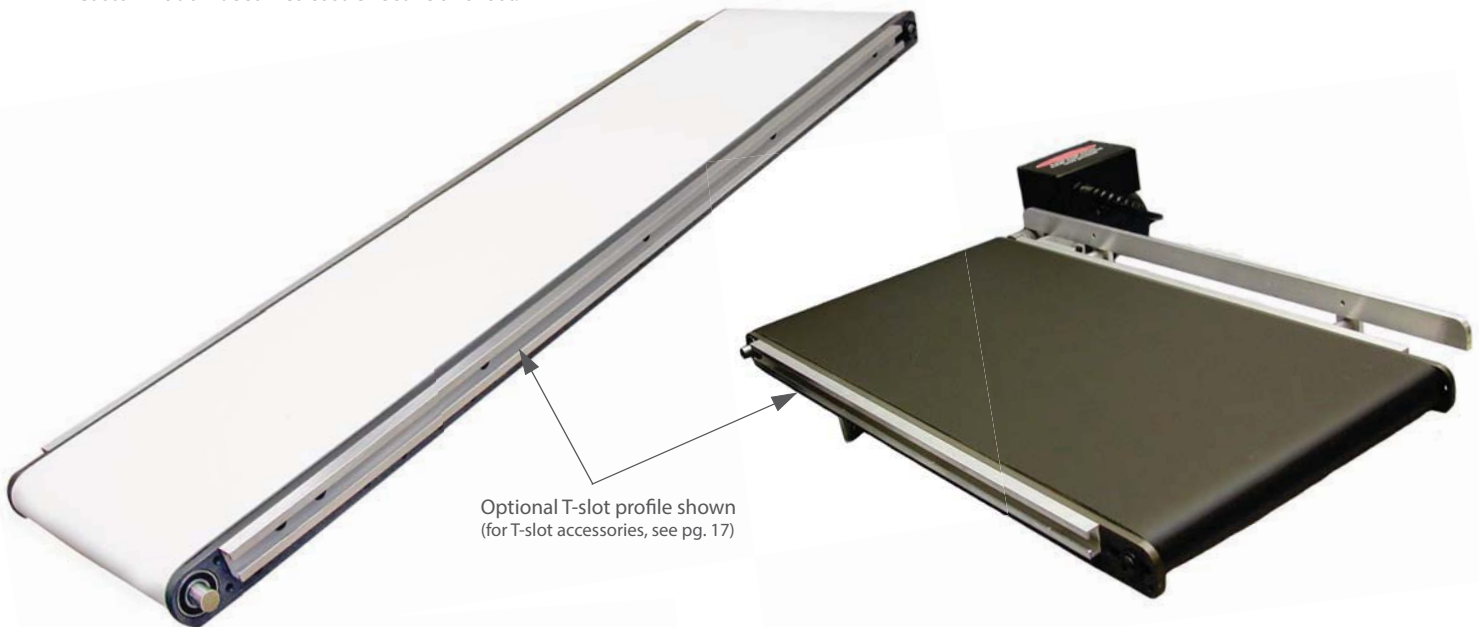
Lite Series integrated and O/UM drive packages may be mounted on either Right or Left siderail, as shown in the drawings below. The standard factory configuration is Right mounted, with belt traveling toward the gearmotor. Many other configurations are possible; ask your sales representative.



## LP Series Highlights

- **Ultra-Low Profile.** At 1.5" high, the LP easily integrates into existing equipment or new work cell designs.
- **Light and Modular.** Portability and ease of adding sectional lengths make the LP a versatile investment.
- **Easily Accessorized.** Numerous off-shelf accessories transform the LP into a flexible solution for specialized uses. Customization becomes cost-effective and fast.

LP Frame:	1.50 inch high, hard-clear-anodized aluminum
Slider Bed:	0.375 inch polished aluminum
Pulleys:	1.25 inch dia. precision crowned aluminum
Pulley Bearings:	Ball bearing, doubled-sealed for life
Accessory Mount:	T-Slot Profile, aluminum (optional)
Load Capacity:	150 lbs maximum (capacity is inversely affected by drive speed. See the drive package selection guide on pg. 9 to determine capacity at specific belt speeds)



Optional T-slot profile shown  
(for T-slot accessories, see pg. 17)

## Drive Package Selection \*

- **Side Mount (S-Style)**  
Consists of gearmotor, controls and hardware needed for Right- or Left-side mount.
- **O/UM Drive Packages (N- through Z-Styles)**  
Consists of gearmotor, controls and hardware. Various overmount and undermount (O/UM) drive packages are available for the LP Series.
- **Remote Mount (R-Style)**  
Consists of S-Style components, plus hardware need to mount gearmotor remotely from the conveyor module.
- **Motor Electrical & Control Options:**  
The LP drive package ordered separately from its matching module; drive selection and package options are listed on pp. 9-12. The standard motor is 115/60/1 VAC input with fixed-speed controls. Motors may also be supplied in other combinations such as 220/230 VAC, 3-phase, pneumatic and/or brushless DC, according to the user's on-site equipment and electrical requirements. Variable-speed controls are also available. .

\* See Drive Package selection guides on pp. 9-15.

## Conveyor Belting Selection \*\*

LP Series conveyors have a wide variety of flat and cleated belting options available. Unless otherwise specified, LP conveyors ship with flat U1-Style all-purpose white belting as shown above. U1-style belting performs well for most applications. This catalog also lists our most popular flat and cleated alternatives to U1.

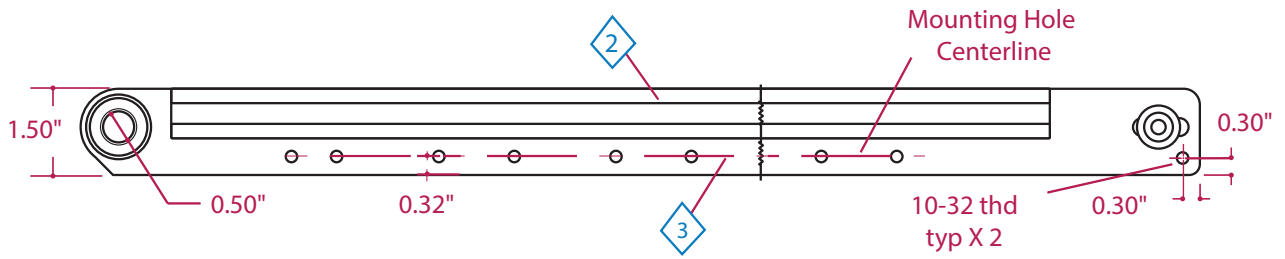
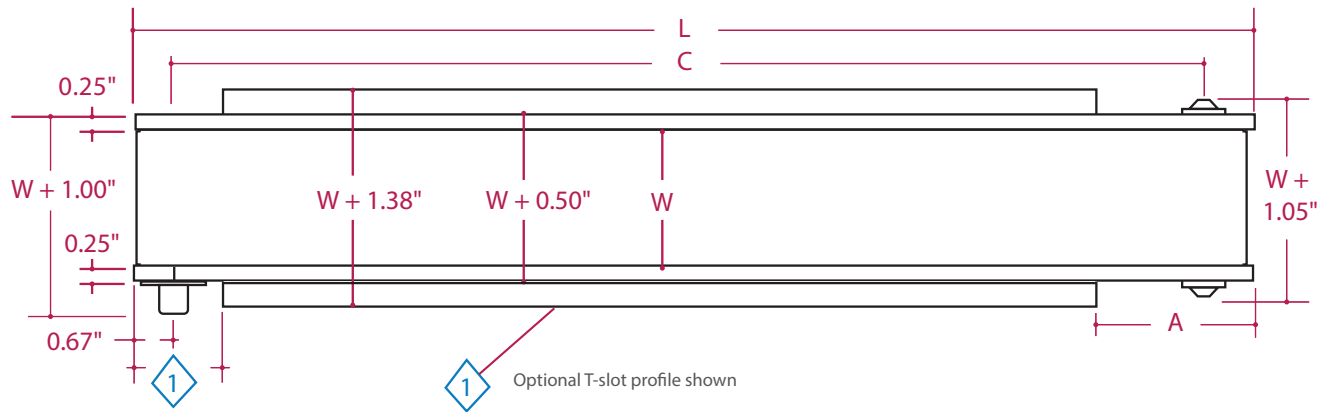
To verify the optimal belting solution for the application, please consult with your sales representative. We have many additional belting and cleat options not included in this catalog.

\*\* See Belting Selection guide on pg. 8.





### LP Series Dimensions



1. Optional T-slot profile: OAL is specific to conveyor length. For length detail, order Specs sheet 40204. (If installed, T-slot profile is easily removed.)
2. When T-slots are removed, additional mount holes are available. For hole location and size detail, order Specs sheet 40202.
3. Mounting Hole Centerline: Mounting hole quantity & locations are conveyor length specific. For detail, order Specs sheet 40201.

#### Standard Widths

Model No. Width Reference	Conveyor Width (W)
02	1.90"
03	2.90"
04	3.90"
06	5.90"
08	7.90"
10	9.90"
12	11.90"
14	13.90"
16	15.90"

#### LP Series: Standard Lengths

Conveyor Length Reference	Nominal Conveyor Length (L)	Reference Dim. (A)	Pulley Centers (C)*
012	12.00"	2.20"	10.62"
018	17.50"	2.69"	16.15"
024	23.30"	2.03"	21.92"
030	29.33"	2.69"	27.79"
036	35.35"	2.08"	33.98"
042	41.00"	2.13"	39.80"
048	47.43"	2.16"	46.04"
060	59.06"	2.35"	57.85"
072	71.15"	2.69"	69.91"
084	83.30"	2.68"	82.00"
096	95.39"	2.69"	94.06"
108	107.48"	2.69"	106.12"
120	119.57"	2.70"	118.18"
132	131.66"	2.73"	130.24"
144	143.66"	2.74"	142.30"

\* Approximate; measurements can vary depending on belting used on unit

Every Mini-Mover conveyor, whether Lite Series and Low-Profile Series platform, is built to order. Each complete conveyor unit is comprised of three (3) hardware building blocks: conveyor module, belting and drive package. The Model Number system, illustrated below, assists both customer and factory to identify the exact hardware components and the application requirements to be met in the complete, assembled unit. Conveyor selection is a 1-2-3 configuration process in which the customer receives full sales engineering guidance every step of the way.

## 1 Conveyor Module

The module is the unit's foundation, consisting of siderails, bedplate, pulley assemblies and drive shaft. Choose platform, dimensions and hardware preps that meet the intended drive package and application needs. (See pg. 7)

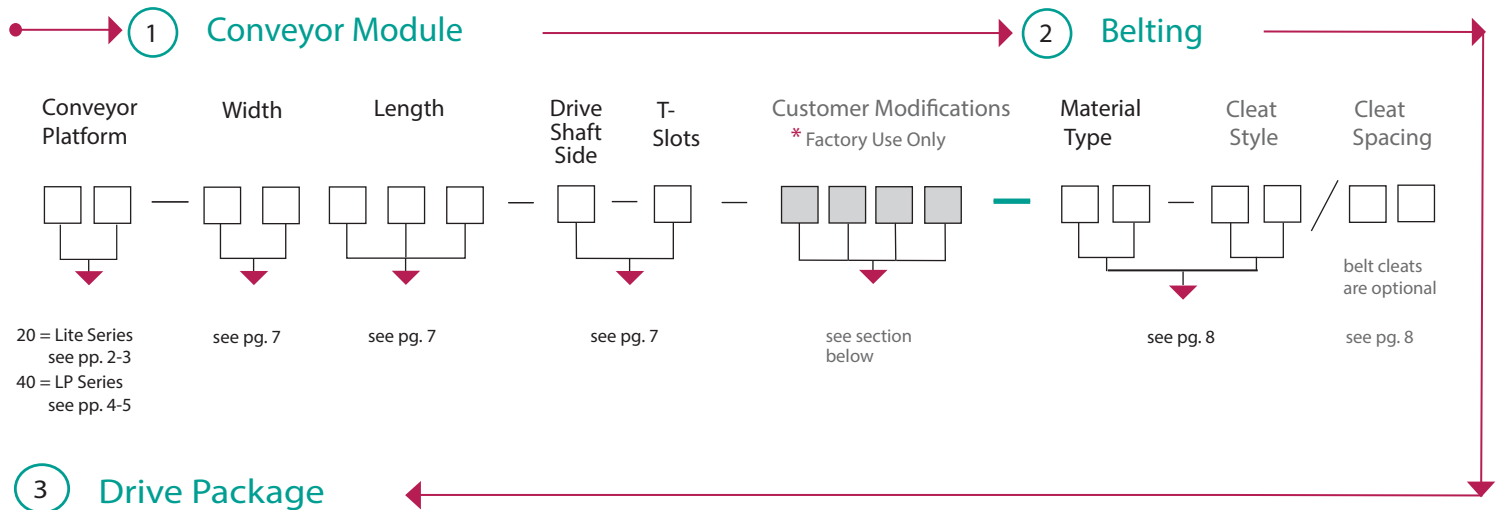
## 2 Belting

Selection of the right belt material helps ensure the final conveyor unit will perform the needed functions. Flat belting is available in many types to suit varied situations. Once the fundamental flat belting is chosen, cleats may be selected in the style and configuration to best move product. (See pg. 8)

## 3 Drive Package

Many factors influence drive package selection, such as electrical supply, space requirements, size of the product to be moved and safety needs for certain environments. We offer a wide variety of gearmotor combinations to meet almost any situation. (See pp. 9-15)

### Model Number Key



### Examples of Model Numbers

Lite	Module & Belt	20-06036-R-N U1-H1/4	Lite Series, 06" wide by 36" long, drive shaft on Right side; No T-Slots (not available on Lite). Belt is flat U1-style white urethane, with H1 style cleats (0.79" high) spaced every 4"
	with Drive Package	RI-180A-20-10	Right-side Integrated (direct mount) drive, 180:1 gear ratio (3 fpm), 25 Watt motor for 115/50-60/1 VAC input, and equipped with standard fixed-speed controls
LP	Module & Belt	40-12144-L-D P1	LP Series, 12" wide by 144" long, drive shaft on left side, Dual T-Slots. Belt is optional flat P1-style black PVC.
	with Drive Package	LU-025B-20-11	Left-side Undermount drive, set at 45°, 25:1 gear ratio (7 to 22 fpm), 40 Watt motor for 115/50-60/1 VAC input, and equipped with optional variable-speed controls.

#### \* Factory Use Codes: Customer Modifications and Production Code

Optionally, Lite and LP Series conveyor platforms can be modified for specific application requirements. The special 4-digit fields (shown in gray color above) will be absent in the Model Number of a standard conveyor.

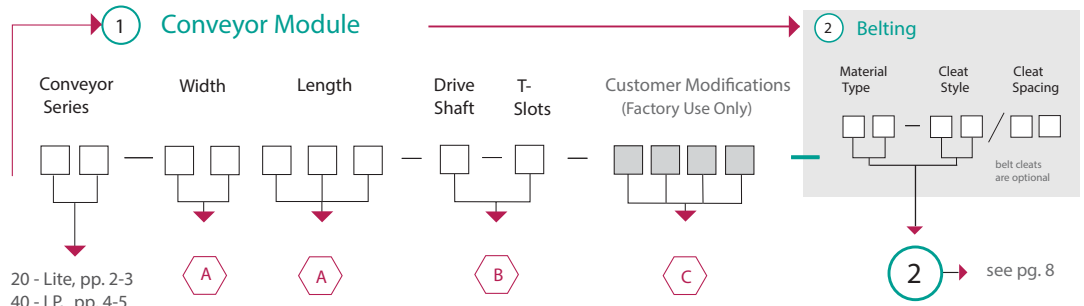
However, when modifications are made to the Module hardware, a 4-digit Customer Modifications code is added to the Model Number to keep a factory record of the hardware changes made, for future customer service purposes. When modifications are made to the Drive Package, a 4-digit Production Code will be assigned to keep a factory record of the electrical and/or hardware changes made, for future customer service purposes.

# 1 Select the Conveyor Module

A. Standard width and length of your Lite or LP unit can be chosen from the charts in Section A below. For non-standard sizes, contact your sales representative.

B. Drive shaft location determines which side of the module your drive packaged will be installed on. Dual drive shafts are available on LP series and Lite over- or under-mount (O/UM) units. Section B below illustrates the available configurations.

C. Modifications are fairly common since Mini-Movers can handle so many types of applications; see Section C below for more information.



## A Module Dimension Charts

Lite & LP Standard Widths

Model No. Width Reference	Actual Conveyor Width (W)
02	1.90"
03	2.90"
04	3.90"
06	5.90"
08	7.90"
10	9.90"
12	11.90"
14	13.90"
16	15.90"

Additional widths and extended lengths are available upon request. Ask your sales representative for information.

Lite Series: Standard Lengths

Model No. Length Reference	Conveyor Length (L)	Pulley Centers (C) *
012	12.88"	10.62"
018	18.68"	16.15"
024	24.50"	21.92"
030	30.52"	27.79"
036	36.52"	33.98"
042	42.50"	39.80"
048	48.76"	46.04"
060	60.75"	57.85"
072	72.99"	69.91"
084	85.23"	82.00"
096	97.47"	94.06"
108	109.47"	106.12"
120	121.50"	118.18"
132	133.50"	130.24"
144	145.50"	142.30"

LP Series: Standard Lengths

Conveyor Length Reference	Nominal Conveyor Length (L)	Reference Dim. (A)	Pulley Centers (C) *
012	12.00"	2.20"	10.62"
018	17.50"	2.69"	16.15"
024	23.30"	2.03"	21.92"
030	29.33"	2.69"	27.79"
036	35.35"	2.08"	33.98"
042	41.00"	2.13"	39.80"
048	47.43"	2.16"	46.04"
060	59.06"	2.35"	57.85"
072	71.15"	2.69"	69.91"
084	83.30"	2.68"	82.00"
096	95.39"	2.69"	94.06"
108	107.48"	2.69"	106.12"
120	119.57"	2.70"	118.18"
132	131.66"	2.73"	130.24"
144	143.66"	2.74"	142.30"

\* Approximate length; measurements can vary depending on belting used on unit

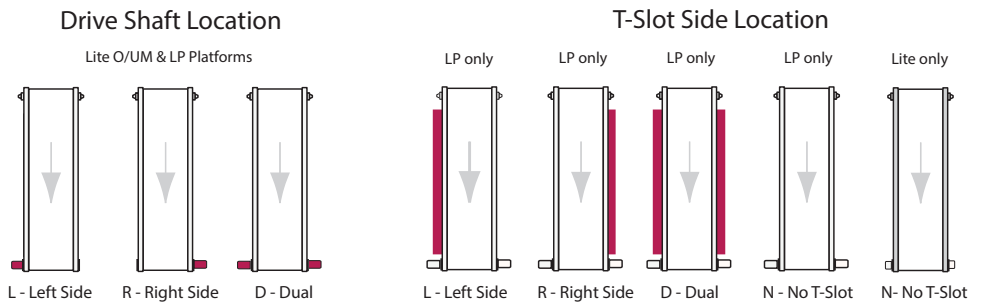
## B Conveyor Module Options

Drive Shaft Location determines which side the drive package will mount on.

Left- or right-side drive shafts allow mounting of any side-mounted, over-mounted or undermounted (O/UM) drive package (see pp. 11-15 for details).

Dual drive shaft location applies to the LP Series or Lite Series O/UM units, for gang-drive applications.

T-Slots, which allow fixtures to be attached, are available only on the LP Series



## C Customer Modifications

Lite and LP Series conveyor platforms are readily modified for special applications. The modular nature of Mini-Mover conveyor design can cost-effectively adapt for requirements such as, but not limited to:

- Ink jet printer and bar coding applications
- Extended lengths of greater than 144"
- Non-standard widths and/or lengths
- Wipedown applications
- Special drive shaft or gearmotor placement
- Preparation for severe, dirty and abrasive environments
- Integration into existing, condensed floorplans or OEM systems
- Fabrication of special product placement fixtures

Please consult your sales representative for the broad range of additional services and capabilities we can provide.

## 2 Select Belting and Cleat Material

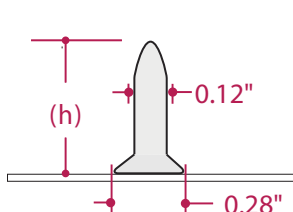
The following table shows the most commonly used and cost-effective belting we offer. These selections are comparably priced and suitable for most applications. However, we offer many specialty materials, for uses such as very high temperatures, wipedown, severe chemical exposure and ESD-rated belting for electronics and other static-sensitive environments. Consult with your representative for any questions regarding the most suitable belt material for your application.

Attributes	Flat Belting Materials by Model No. Designation							
	U1	U2	U3	U4	P1	P2	P3	P4
Top Cover	Urethane	Urethane	Fabric	Urethane	PVC	PVC	PVC	PVC
Lateral Stability	2 ply Polyester	2 ply Polyester	2 ply Polyester	2 ply Polyester	2 ply Polyester	2 ply Polyester	2 ply Polyester	2 ply Polyester
Bottom Side	Fabric	Urethane	Fabric	Fabric	Fabric	Fabric	Fabric	Fabric
Edge Finish	Cut	Sealed	Cut	Cut	Cut	Cut	Cut	Cut
Color	White	White	White	White	Black	Grey	Dk Grey	Green
Thickness	0.06"	0.06"	0.04"	0.06"	0.08"	0.07"	0.16"	0.08"
FDA Conformance	Yes	Yes	Yes	Yes	No	No	Yes	No
Temp. Range ‡	-22°F-176°F	5°F-176°F	14°F-158°F	-22°F-176°F	-32°F to 158°F	23°F to 122°F	14°F to 140°F	14°F to 158°F
Antistatic	Yes	Yes	Yes	Yes	Yes	Yes	Yes	No
Cut & Abrasion Resistance	Excellent	Good	Fair	Good	Good	Good	Excellent	Good
Top Surface	Medium Gloss	Low Gloss	Fabric	Satin	Matte	Waffled	Waved Grid	Smooth
Top Adhesion (Top Friction)	Med-Adh (Med-Frct)	Non-Adh (Med-Frct)	Non-Adh (V-Low-Frct)	Non-Adh (Low-Frct)	Non-Adh (Low-Frct)	High-Adh (High-Frct)	V-High-Adh (High-Frct)	High-Adh (Med-Frct)

‡ U1, U2 and U4 belts will withstand product temperatures of up to 212°F in applications where product contact is transitory. Temperature values given above are based on continuous or prolonged product contact that elevates or decreases belt material temperature. Contact your representative for assistance with high-heat applications.

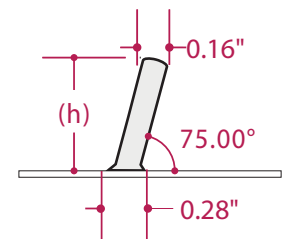
## Cleated Belts

Cleats (also called carriers) can be added to flat belting in order to separate or support products, especially in incline & decline applications. Cleats are available on all U-style belts except the U3. Standard cleat styles and sizes are shown below, which are those most commonly used. Cleat heights other than those listed here are also available upon customer request. Please contact your sales representative for non-standard cleat configurations.



H-Cleat - 90° Upright		
H-Cleat Style	(h)In.	(h)mm
H0	0.16"	4 mm
H1	0.79"	20 mm
H2	1.18"	30 mm
H3	1.58"	40 mm
H4	2.36"	60 mm

K-Cleat - 75° Angle		
K-Cleat Style	(h)In.	(h)mm
K5	0.50"	12 mm
K6	1.00"	25 mm
K7	1.50"	38 mm
K8	2.00"	51 mm
K9	2.50"	64 mm



## Application Suggestions

### All Purpose

Assembly Line: U1, U4  
Machine Shop: U1, U2  
Metal Stamping: U1, U2  
Packaging: U1  
Plastic Molding: U1, U4

### Packaging

Antimicrobial: U2  
Beverage Line: U1, U4  
FDA Conformance: U1 - U4  
Food Packaging: U1, U2  
Taste-Neutral: U1, U2, U4

### Material Handling

Accumulation: U3, U4, P1  
Diverting: P1, P2  
Distribution Center: P2, P3, P4  
Sorting: P2

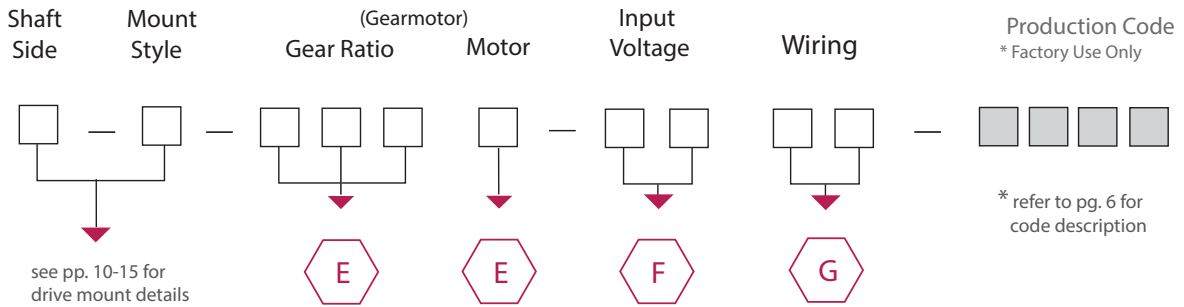
### Incline & Decline

Cleated: U1, U2, U4  
High Grip: P2 - P4  
Impact Loads: P3  
Medium Grip: U1

### Special Usage

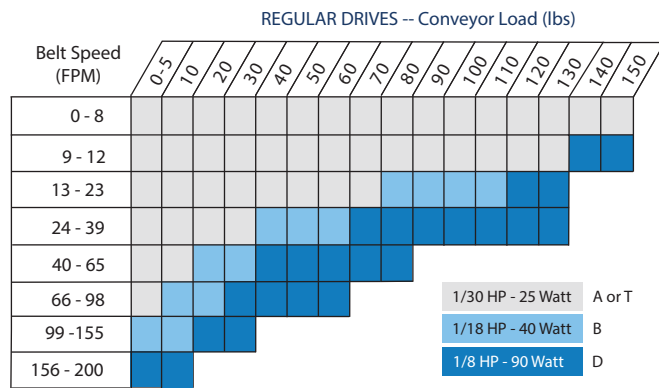
Ink Jet/Bar Code: P1  
Low-Noise: P1  
Severe Duty: U2  
Vision Systems: U3

### 3 Select the Drive Package (Model Number Key)

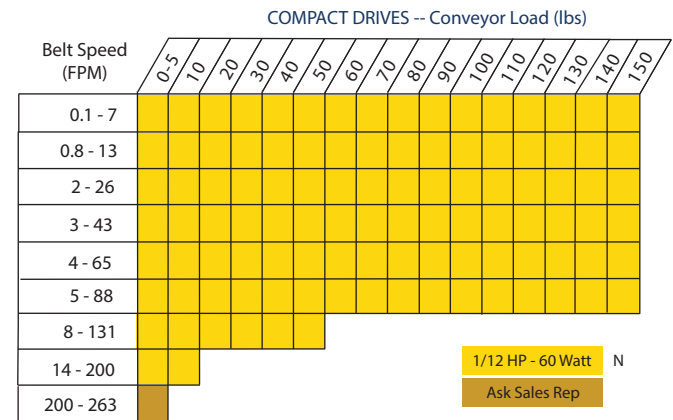


### E Gearmotor Selection by Speed & HP

- Using the speed & load charts below, determine the ideal combination for your expected application.
- From the Gearmotor Determination chart, choose a fixed speed or variable speed gearmotor that best suits your requirement.
- Use the selected gearmotor reference number when building a conveyor ordering number.



Note: Load carrying capacity is based on horizontal travel. Load ratings in these charts and tables are based upon total weight of product, distributed uniformly over the usable belt length and with a level belt moving toward the drive (i.e., the standard "Pull" gearmotor configuration). Consult your sales representative for other uses.



#### Gearmotor Determination by Torque & Speed

Gearmotor Reference No.	HP	Torque (in-lb)	Fixed Speed	Variable Speed
			Belt Speed FPM*	Belt Speed FPM*
180 A or T ‡	1/30	69	3	1 - 3
075 A or T ‡	1/30	69	8	3 - 8
050 A or T ‡	1/30	47	12	4 - 11
036 A or T ‡	1/30	34	16	5 - 15
025 A or T ‡	1/30	24	23	7 - 22
018 A or T ‡	1/30	17	32	10 - 31
015 A or T ‡	1/30	14	39	12 - 37
025 B	1/18	39	23	7 - 22
018 B	1/18	29	32	10 - 31
015 B	1/18	24	39	12 - 37
012 B	1/18	20	47	17 - 44
009 B	1/18	14	65	20 - 61
005 B	1/18	8	117	38 - 110
003 B	1/18	5	196	70 - 194
015 D	1/8	50	39	12 - 37
012 D	1/8	42	47	17 - 44
009 D	1/8	30	65	20 - 61
007 D	1/8	25	78	24 - 74
005 D	1/8	17	117	38 - 100
004 D	1/8	12	163	53 - 155
003 D	1/8	10	196	70 - 194

\* FPM = feet per minute ‡ = T motors are 1/24 HP

#### Gearmotor Determination by Torque & Speed

Gearmotor Reference No.	HP	Torque (in-lb)	Belt Speed FPM*
360 N	1/12	141	0.18 - 3.6
180 N	1/12	141	0.35 - 7.0
100 N	1/12	141	0.80 - 13
050 N	1/12	76	2 - 26
030 N	1/12	46	3 - 43
015 N	1/12	23	5 - 88
010 N	1/12	15.9	8 - 131
07.5 N	1/12	11.9	10 - 170
005 N	1/12	7.9	14 - 200
005 N	1/12	7.9	200 - 263

\* FPM = feet per minute

### F Select Input Voltage

20	115/60 1-ph VAC	27	48 VDC
21	230/50-60 1-ph VAC	28	90 VDC
23	230/60 3-ph VAC	29	130 VDC
25	12 VDC	30	Pneumatic
26	24 VDC	32	220/50-60 1/3-ph VAC

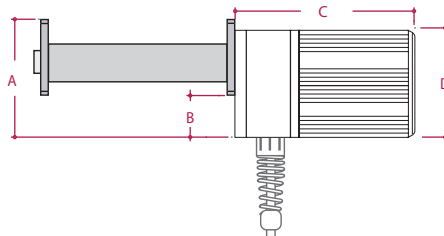
### G Select Wiring Option

- 10 Fixed Speed - for Regular Drives. Includes power switch, fuse, LED indicator and 7-ft power cord w/plug. Only for 115/60 VAC.
- 12 Conduit Box. Includes wires and capacitor; no controls included.
- 13 OEM Cable.
- 21 Variable Speed - for Regular Drives. No external control feature. (See pg. 16 for more information)
- 31 Variable Speed - for Compact Drives. Digital control; used with brushless DC gearmotors. (See pg. 16 for more information)
- 99 Other (non-catalog, per quote or order description)

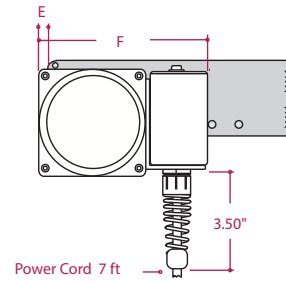
Side-Mount Styles

Regular Drives, Controls: Standard - Fixed-speed control box with power switch; 7-ft cord & plug; 115/60/1 VAC gearmotor, Vari-Speed options; see pg. 16 for details.  
 Compact Drives, Controls: Standard: Variable-Speed Digital Control is kitted with the brushless DC gearmotor; see pg. 16 for details.

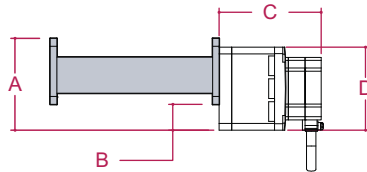
I Style - Lite Series (Regular)



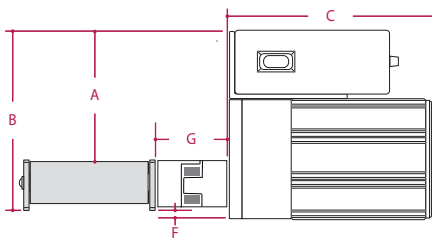
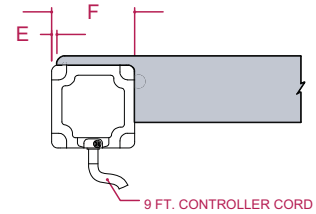
Motor	A	B	C	D	E	F
25W,1/30 HP	3.61"	1.07"	4.97"	3.15"	0.20"	5.24"
40W,1/18 HP	3.92"	1.38"	6.00"	3.54"	0.39"	5.63"
90W,1/8 HP	3.92"	1.38"	8.18"	3.61"	0.39"	5.63"



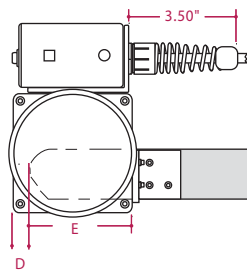
I Style - Lite Series (Compact)



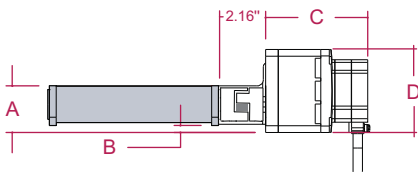
Gear Ratio	A	B	C	D	E	F
005N-015N	3.49"	0.99"	3.74"	3.15"	0.20"	3.15"
030N-100N	3.49"	0.99"	3.94"	3.15"	0.20"	3.15"
180N-360N	3.49"	0.99"	4.14"	3.15"	0.20"	3.15"



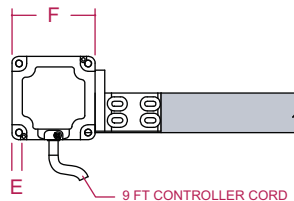
Motor	A	B	C	D	E	F	G
25W,1/30 HP	3.52"	5.05"	4.97"	0.95"	2.25"	0.15"	2.22"
40W,1/18 HP	3.84"	5.37"	6.00"	1.16"	2.44"	0.23"	2.22"
90W,1/8 HP	3.97"	5.50"	8.18"	1.16"	2.44"	0.23"	2.20"



S Style - LP Series (Regular)



Gear Ratio	A	B	C	D	E	F
005N-025N	1.76"	0.26"	4.02"	3.15"	0.91"	3.15"
030N-120N	1.76"	0.26"	4.22"	3.15"	0.91"	3.15"
150N-360N	1.76"	0.26"	4.42"	3.15"	0.91"	3.15"



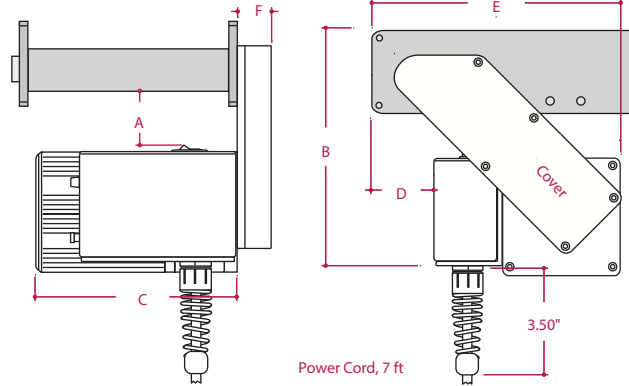
S Style - LP Series (Compact)



45° Undermount Styles

Regular Drives, Controls: Standard - Fixed-speed control box with power switch; 7-ft cord & plug; 115/60/1 VAC gearmotor, Vari-Speed options; see pg. 16 for details.  
 Compact Drives, Controls: Standard: Variable-Speed Digital Control is kitted with the brushless DC gearmotor; see pg. 16 for details.

U-Style - Lite Series (Regular)



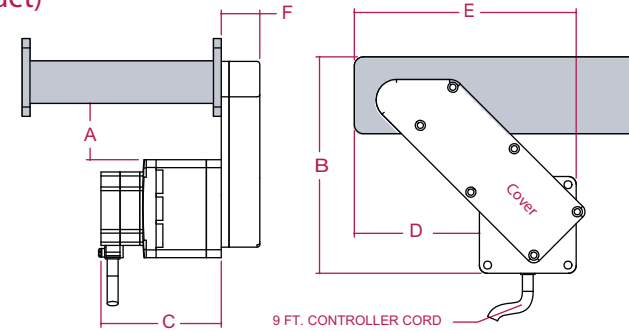
U Style: 25/40W - 7.40" cover length  
 90W - 7.65" cover length

Motor	A	B	C	D	E	F
25W,1/30 HP	1.48"	7.15"	4.97"	2.00"	7.33"	1.00"
40W,1/18 HP	1.60"	7.34"	6.00"	1.92"	7.47"	1.00"
90W,1/8 HP	1.52"	7.38"	8.17"	1.75"	7.50"	1.25"

N Style: 9.18" cover length

Motor	A	B	C	D	E	F
25W,1/30 HP	2.78"	8.37"	4.97"	3.30"	8.68"	1.00"
40W,1/18 HP	2.78"	8.60"	6.00"	3.15"	8.85"	1.00"
90W,1/8 HP	n/a	n/a	n/a	n/a	n/a	n/a

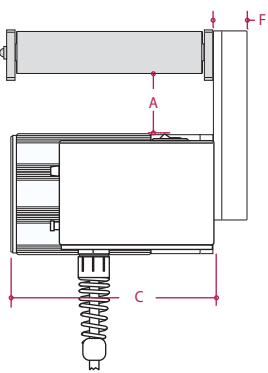
U-Style - Lite Series (Compact)



U Style: - 7.40" cover length

Gear Ratio	A	B	C	D	E	F
005N-015N	1.81"	7.04"	3.74"	4.07"	7.22"	1.24"
030N-100N	1.81"	7.04"	3.94"	4.07"	7.22"	1.24"
180N-360N	1.81"	7.04"	4.14"	4.07"	7.22"	1.24"

U-Style - LP Series (Regular)



U Style: 25/40W - 7.40" cover length  
 90W - 7.65" cover length

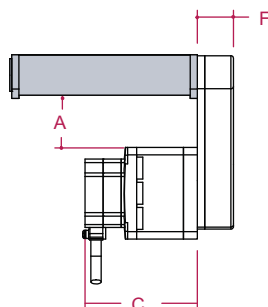
Motor	A	B	C	D	E	F
25W,1/30 HP	1.48"	6.52"	4.97"	1.42"	6.60"	1.00"
40W,1/18 HP	1.60"	6.67"	6.00"	1.15"	6.68"	1.00"
90W,1/8 HP	1.52"	6.67"	8.17"	1.08"	6.85"	1.25"

N Style: 9.18" cover length

Motor	A	B	C	D	E	F
25W,1/30 HP	2.78"	7.76"	4.97"	2.60"	7.98"	1.00"
40W,1/18 HP	2.78"	8.00"	6.00"	2.40"	8.40"	1.00"
90W,1/8 HP	n/a	n/a	n/a	n/a	n/a	n/a



U-Style - LP Series (Compact)



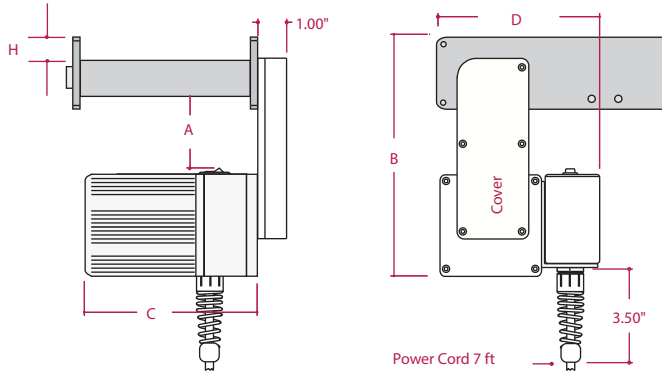
Gear Ratio	A	B	C	D	E	F
005N-015N	1.81"	6.34"	3.74"	3.40"	6.55"	1.24"
030N-100N	1.81"	6.34"	3.94"	3.40"	6.55"	1.24"
180N-360N	1.81"	6.34"	4.14"	3.40"	6.55"	1.24"



90° Undermount Styles

Regular Drives, Controls: Standard - Fixed-speed control box with power switch; 7-ft cord & plug; 115/60/1 VAC gearmotor, Vari-Speed options; see pg. 16 for details.  
 Compact Drives, Controls: Standard: Variable-Speed Digital Control is kitted with the brushless DC gearmotor; see pg. 16 for details.

X Style - Lite Series (Regular)

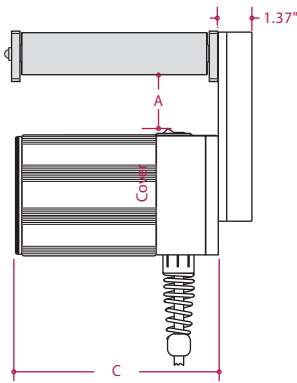


X Style: 6.25" cover length

	25W 1/30 HP	40W 1/18 HP
A	2.40"	2.50"
B	8.50"	8.33"
C	4.97"	6.00"
D	5.56"	5.76"
H	0.73"	0.73"

Power Cord 7 ft

X Style - LP Series (Regular)



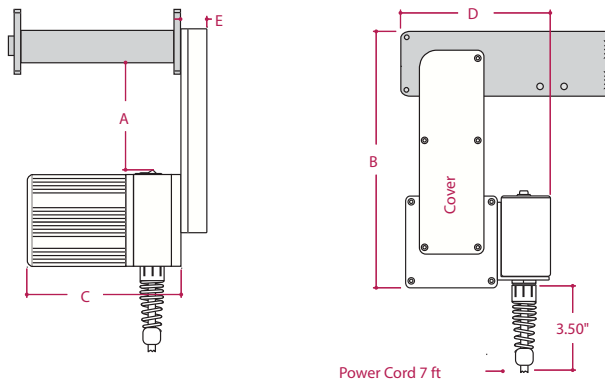
X Style: 6.25" cover length

	25W 1/30 HP	40W 1/18 HP
A	1.84"	1.82"
B	6.78"	6.90"
C	4.97"	6.00"
D	5.50"	5.76"

Power Cord 7 ft



Y Style - Lite Series (Regular)

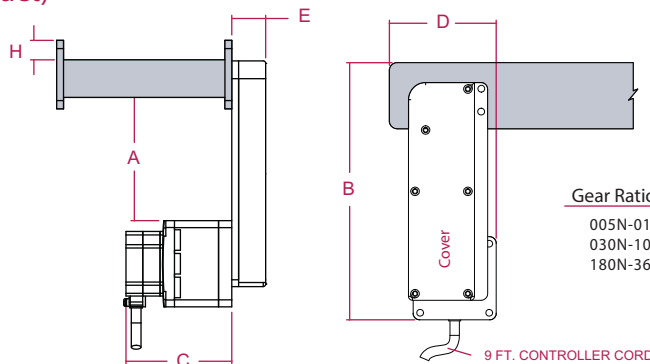


Y Style: 25/40W - 7.75" cover length  
90W - 8.25" cover length

	25W 1/30 HP	40W 1/18 HP	90W 1/8 HP
A	4.00"	4.08"	4.05"
B	9.68"	9.92"	9.92"
C	4.97"	6.00"	8.17"
D	5.53"	5.72"	6.10"
E	1.00"	1.00"	1.25"

Power Cord 7 ft

Y-Style - Lite Series (Compact)



Y Style: 7.75" cover length

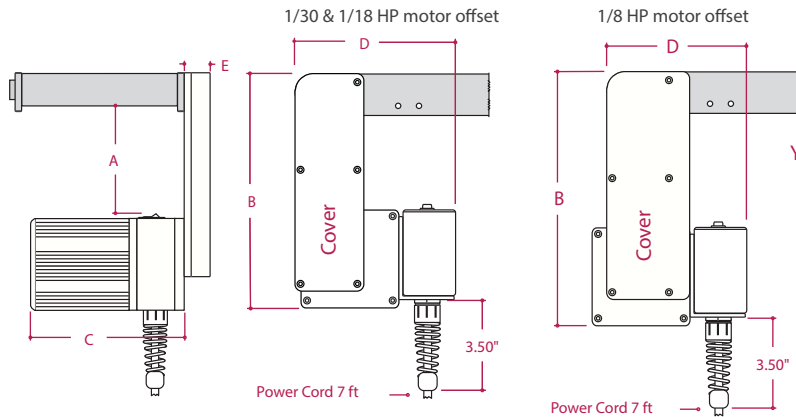
Gear Ratio	A	B	C	D	E	H
005N-015N	4.51"	9.74"	3.74"	4.05"	1.24"	0.72"
030N-100N	4.51"	9.74"	3.94"	4.05"	1.24"	0.72"
180N-360N	4.51"	9.74"	4.14"	4.05"	1.24"	0.72"

9 FT. CONTROLLER CORD



90° Undermount Styles (cont'd)

Regular Drives, Controls: Standard - Fixed-speed control box with power switch; 7-ft cord & plug; 115/60/1 VAC gearmotor, Vari-Speed options; see pg. 16 for details.  
 Compact Drives, Controls: Standard: Variable-Speed Digital Control is kitted with the brushless DC gearmotor; see pg. 16 for details.



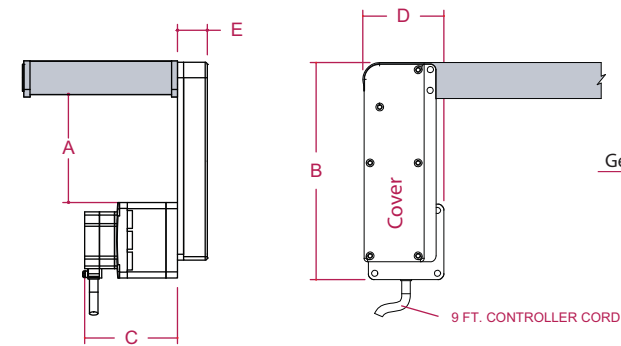
Y Style: 25/40W - 7.75" cover length  
 90W - 8.25" cover length

	25W 1/30 HP	40W 1/18 HP	90W 1/8 HP
A	3.40"	3.40"	4.10"
B	8.38"	8.52"	9.27"
C	4.97"	6.00"	8.17"
D	5.52"	5.80"	5.65"
E	1.00"	1.00"	1.25"

Y Style - LP Series (Regular)



Y-Style - LP Series (Compact)

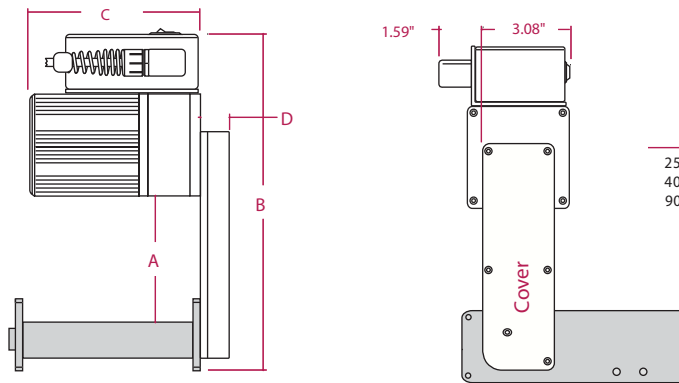


Gear Ratio	A	B	C	D	E
005N-015N	4.50"	9.04"	3.74"	3.37"	1.24"
030N-100N	4.50"	9.04"	3.94"	3.37"	1.24"
180N-360N	4.50"	9.04"	4.14"	3.37"	1.24"

90° Overmount Styles

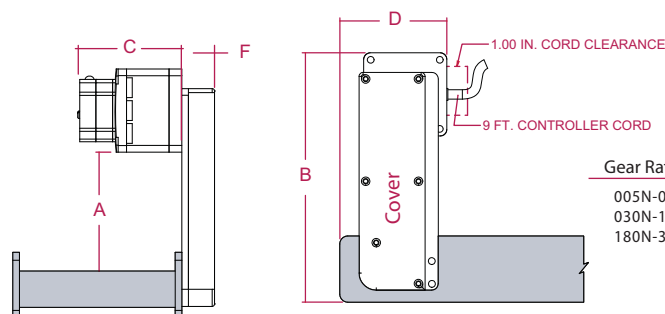
Regular Drives, Controls: Standard - Fixed-speed control box with power switch; 7-ft cord & plug; 115/60/1 VAC gearmotor, Vari-Speed options, see pg. 16 for details.  
 Compact Drives, Controls: Standard: Variable-Speed Digital Control is kitted with the brushless DC gearmotor; see pg. 16 for details.

Z Style - Lite Series (Regular)



	A	B	C	D
25W,1/30 HP	4.22"	11.34"	4.97"	1.00"
40W,1/18 HP	4.15"	11.65"	6.00"	1.00"
90W,1/8 HP	4.15"	11.65"	8.44"	1.25"

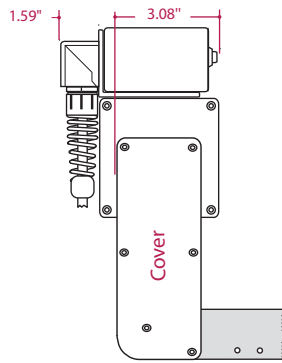
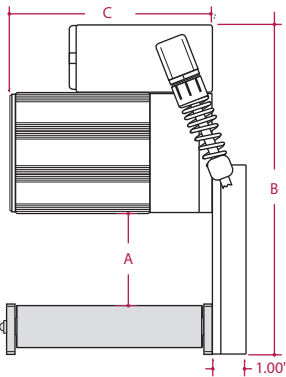
Z Style - Lite Series (Compact)



Gear Ratio	A	B	C	D	F
005N-015N	4.51"	9.44"	3.74"	4.05"	1.15"
030N-100N	4.51"	9.44"	3.94"	4.05"	1.15"
180N-360N	4.51"	9.44"	4.14"	4.05"	1.15"

90° Overmount Styles (cont'd)

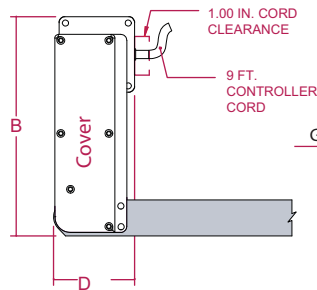
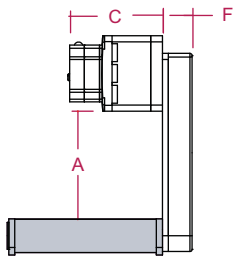
Regular Drives, Controls: Standard - Fixed-speed control box with power switch; 7-ft cord & plug; 115/60/1 VAC gearmotor, Vari-Speed options, see pg. 16.  
 Compact Drives, Controls: Standard: Variable-Speed Digital Control is kitted with the brushless DC gearmotor; see pg. 16 for details



Z Style: 25/40W - 7.75" cover length  
 90W - 8.25" cover length

	A	B	C	D
25W,1/30 HP	4.22"	10.97"	4.97"	1.00"
40W,1/18 HP	4.15"	11.28"	6.00"	1.00"
90W,1/8 HP	4.15"	11.41"	8.44"	1.25"

Z Style - LP Series (Regular)



Z Style: 7.75" cover length

Gear Ratio	A	B	C	D	F
005N-015N	4.50"	9.14"	3.74"	3.37"	1.24"
030N-100N	4.50"	9.14"	3.94"	3.37"	1.24"
180N-360N	4.50"	9.14"	4.14"	3.37"	1.24"

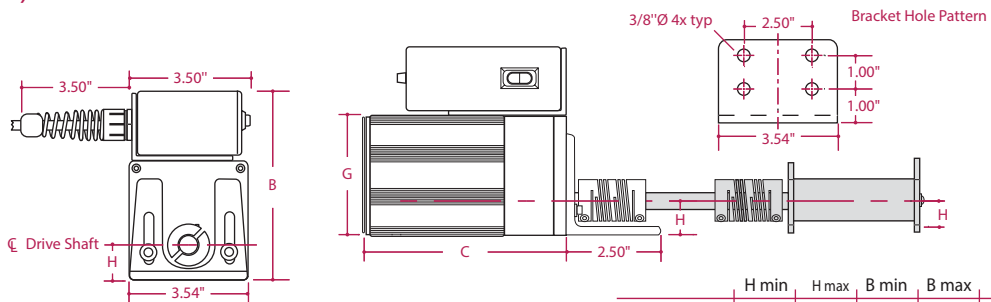
Z Style - LP Series (Compact)



Remote-Mount Styles

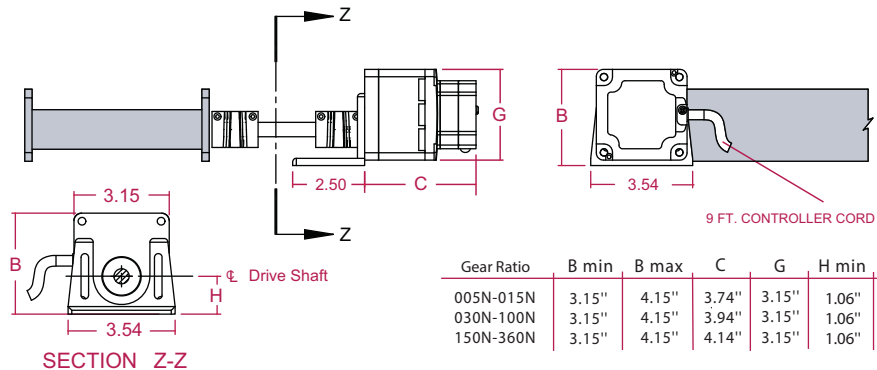
Regular Drives, Controls: Standard - Fixed-speed control box with power switch; 7-ft cord & plug; 115/60/1 VAC gearmotor, Vari-Speed options, see pg. 16.  
 Compact Drives, Controls: Standard: Variable-Speed Digital Control is kitted with the brushless DC gearmotor; see pg. 16 for details

R Style - Lite Series (Regular)



	H min	H max	B min	B max	C	G
25W,1/30 HP	0.98"	1.98"	5.20"	6.20"	4.97"	3.15"
40W,1/18 HP	1.06"	2.06"	5.59"	6.59"	6.00"	3.54"
90W,1/8 HP	1.06"	2.06"	5.71"	6.71"	8.18"	3.54"

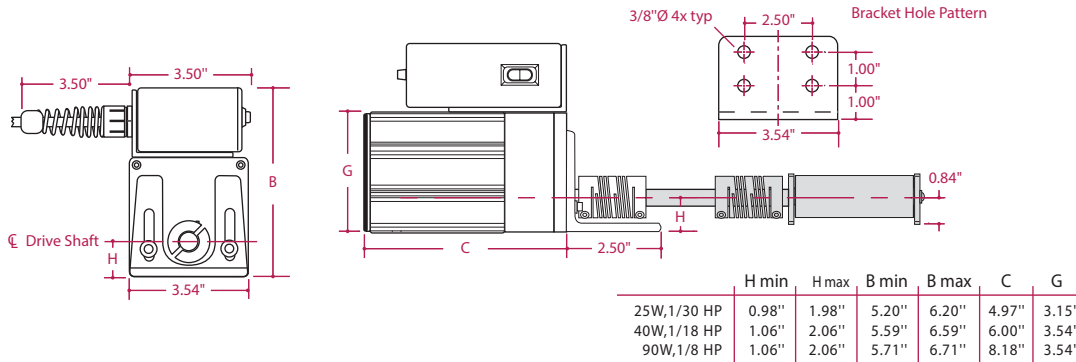
R Style - Lite Series (Compact)



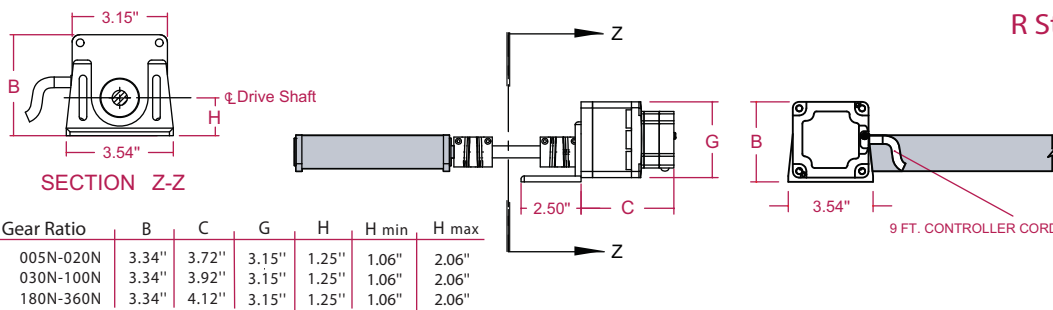
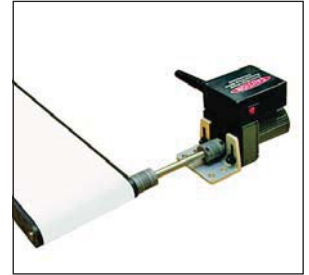
Gear Ratio	B min	B max	C	G	H min	H max
005N-015N	3.15"	4.15"	3.74"	3.15"	1.06"	2.06"
030N-100N	3.15"	4.15"	3.94"	3.15"	1.06"	2.06"
150N-360N	3.15"	4.15"	4.14"	3.15"	1.06"	2.06"

Remote-Mount Styles (cont'd)

Regular Drives, Controls: Standard - Fixed-speed control box with power switch; 7-ft cord & plug; 115/60/1 VAC gearmotor, Vari-Speed options, see pg. 16.  
 Compact Drives, Controls: Standard: Variable-Speed Digital Control is kitted with the brushless DC gearmotor; see pg. 16 for details



R Style - LP Series (Regular)



R Style - LP Series (Compact)



Conveyor Drive Options

Conduit-Box-Only Option

For customers who plan add their own control equipment to a drive package style, Lite and LP series conveyors can be shipped with a conduit box only, to allow on-premise wiring of conveyor controls.

Drawings and dimensions for drive packages equipped with conduit box are available by requesting the relevant specsheet number:

- No. 20203 - for Lite Series
- No. 40203 - for LP Series

The specsheets cover dimensioning for these gearmotor types when equipped with conduit box: 115/60/1 VAC, 230/50-60/1 VAC and 230/60/3 VAC.



Gang & Remote Drive Components

Drive Shaft

Part No. 40-7211

Diameter: 0.500"  
 303 stainless steel  
 Sold by the inch



Couplers

Part No.	Style	Description
40-7195	Helical	Med. Duty, 0.500" x 0.625" ID, 1.250" OD x 1.63" Long
40-7201	Helical	Light Duty, 0.500" x 0.500" ID, 1.125" OD x 1.50" Long
40-7244	Helical	Light Duty, 0.500" x 0.375" ID, 1.125" OD x 1.50" Long
40-7292	Flex Shaft	Heavy Duty, 0.500" x 0.375" ID, 1.25" OD x 1.87" Long
40-7293	Flex Shaft	Heavy Duty, 0.500" x 0.500" ID, 1.25" OD x 1.87" Long
40-7294	Flex Shaft	Heavy Duty, 0.500" x 0.625" ID, 1.25" OD x 1.87" Long

External Control Accessories

External Control Cable

Part No. 30-7270  
 Length: 15 ft (4.6 m)

For Compact brushless DC gearmotors. Cabling for CG vari-speed controller in remote-control applications. Includes 4-conductor 4AWG wire for low-switching of 24V or less. See also pg. 16.



Non-Cataloged Options

We can accommodate a variety of specialized drive-related application needs that are not detailed in this catalog. These include but are not limited to:

- Washdown gearmotors and controls
- DC gearmotors
- DC brushless gearmotors
- 1/6 HP to 3/8 HP inverter duty
- Pneumatic (air driven) motors
- CE certified conveyors and gearmotors

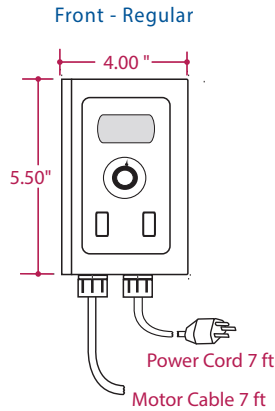
Specialized gearmotor/conveyor module configurations, such as ink-jet print or bar-coding operations, are also offered. Ask your sales rep for more information.

Variable-Speed (VS) Controls

Regular Drives: Variable Speed controls are optional for Lite & LP Series conveyors, plus all models of RTA units equipped with 3-phase AC motors. Should users prefer to use their own Variable-Speed controls with Regular 3-phase AC drives, this motors can be configured at the factory with a conduit box only, to facilitate on-site wiring by the user.

Compact Drives: Variable Speed is standard, with controller & cabling in kit that includes a brushless DC gearmotor with AC input power.

VS Control - for Regular Drives (7220 Series)

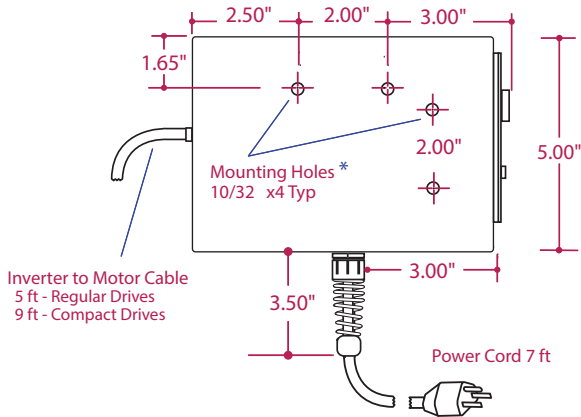


Part No.	Drive Compatibility *
30-7177	25/40 Watt (100-120 VAC input)
30-7178	90 Watt (100-120 VAC input)

\* Additional Inverter/Controller Assemblies are also available for 200-230 VAC input drive packages. Consult your sales representative for more information.

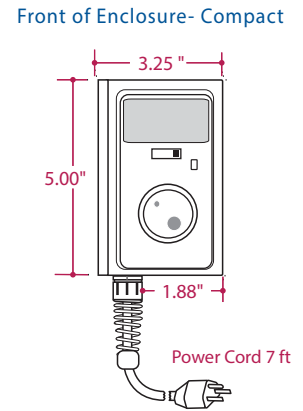
This economical VS assembly does not support remote operation. It includes inverter/controller, enclosure, cabling and power input cord, with electrical characteristics to match the 3-phase AC gear-motor of its companion drive.

Side of Enclosure - Compact Controller Only



\* Mounting plate can be rotated as needed

VS Control - for Compact Drives



The digital VS assembly is part of the brushless DC Compact gearmotor kit. It includes digital display, programmable controller and permits remote operation. It comes with enclosure, cabling and AC power input cord. For more details on the Compact Group, ask your sales representative for brochure No. BR-302. Also refer to the companion Compact Drives on pp. 10-15.

Motion Control Accessories

Reflective Sensor Units

Part No.  
20-5040 for Lite  
40-0135 for LP

Stops conveyor when product breaks the laser beam. Unit includes reflector, sensor, cabling and all other hardware needed for installation.



E-Stop

Part No.  
30-0011 (for Compact drives)

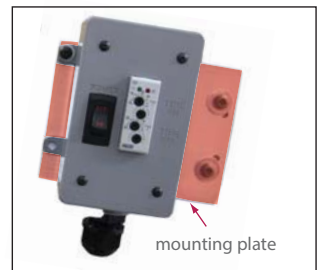
Emergency stop assembly for use with the brushless DC Compacts drives. Includes cabling, mounting bracket and all hardware needed for installation.



Indexing Timer

Part No.  
30-7277  
30-7247 (mounting plate)

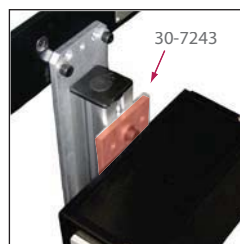
Adjustable On/Off times for micro belt movement stop/start; timing ranges from 0.10 sec. to 100 days. Heavy-duty, long life relay output. LED power and relay on indicators. Includes PVC enclosure with dry contact connector and 7-ft cord with piggyback receptacle. The mounting plate, 30-7247, attaches the product indexing timer to a leg stand or RTA column.



Control Mount Accessories

Vari-Speed Enclosure Mount Bracket

Part No.	For mount on:
30-7243	Leg Stand or T-slot
30-7245	Siderail (Lite or LP)



As equipped from the factory, the Variable Speed enclosure is free-standing. These brackets allow several mounting configurations.

Fixed Side Guides (LP Series)

Standard side guides are constructed of aluminum with a brush finish. They are also available with with laminated UHMW product guide surface. Guides may be installed with or without the T-slot Profile and are sold per side by the conveyor length model. Order 2 each when both sides are required. [Example: for a 1.5" high side guide with UHMW guide surface, on both sides of a 042 reference-length conveyor = order 2 each, 40-7262-042] For other heights, consult your sales representative.

Aluminum Guide

Part No.
40-7221 - 1.00" high
40-7222 - 1.50" high
40-7223 - 2.00" high
40-7225 - 2.50" high
40-7226 - 3.00" high
40-7227 - 4.00" high

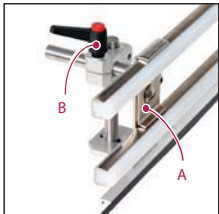
Aluminum Guide with UHMW Surface

Part No.
40-7261 - 1.00" high
40-7262 - 1.50" high
40-7263 - 2.00" high
40-7264 - 2.50" high
40-7265 - 3.00" high
40-7266 - 4.00" high



Adjustable Guide Rails (LP Series)

Adjustable rail brackets utilize the Conveyor T-slot Profile for mounting and are available in three styles with each style offering multiple adjustment ranges. The 1/8" and 1/4" brackets are constructed using two aluminum L brackets. The Quick Adjust bracket is constructed of aluminum brackets and stainless steel adjustment rods and include the Quick-Adjust T-Handles. Guide rails are constructed of UHMW with a stainless steel mounting support and are available in three widths. Brackets are sold individually, and rails are sold by the foot.



1/8" Brackets



1/4" Brackets



Quick Adjust Brackets



Dual Rail Bracket

Bracket assembly mounts two guide rails with 2.50" rail gap between rails; Quick Adjust T-Handle included.

Part No.	Item
40-7237	Dual Bracket (A)
40-7238	T-Handle (B)

Guide Rails \*

Part No.	Rail Width
40-7231	0.50"
40-7232	1.00"
40-7233	1.25"

Brackets

Bracket Style	Part No.	LH	HH	IF	OF
1/8" Aluminum	40-7205	0.75"	4.25"	3.50"	3.00"
1/8" Aluminum	40-7206	0.75"	5.25"	4.50"	3.75"
1/4" Aluminum	40-7212	0.50"	0.75"	1.00"	0.75"
1/4" Aluminum	40-7213	0.75"	3.25"	2.00"	0.37"
1/4" Aluminum	40-7214	0.75"	5.25"	2.00"	0.37"
Quick Adjust	40-7251	0.50"	2.75"	2.25"	0.75"
Quick Adjust	40-7252	0.50"	4.75"	4.25"	0.75"
Quick Adjust	40-7253	0.50"	6.75"	6.25"	0.75"
Quick Adjust	40-7254	0.50"	8.75"	8.25"	0.75"

Note: Adjustment values shown are measured from centerline of mounted rail to conveyor belt surface for height, and from mounted rail face to inside edge of conveyor side frame for width. Abbreviations: LH= low height, HH = high height, IF = inside the frame & OF = Outside the frame

Part Stops & Flap Stops

Part stops are available in two styles. The Lite Series stop mounts to 10/32 thd holes at the conveyor idler or drive ends. The LP Series stop mounts to the T-slot profile and the stop may be located at any point along the belt length. Stops are made of 1/2" thk x 2.00" high PVC and utilize aluminum brackets for mounting.



Lite Series Part Stop



LP Series Part Stop

Conveyor Width Ref.	Lite Series Part No.	LP Series Part No.
02	20-7034	40-7050
03	20-7035	40-7051
04	20-7036	40-7052
06	20-7037	40-7053
08	20-7038	40-7054
10	20-7039	40-7055
12	20-7040	40-7056
14	20-7042	40-7058
16	20-7044	40-7060

Flap Stops

Flap stops can be factory-fitted to a Mini-Mover conveyor equipped with fixed side-guide option. Made of flexible neoprene, flaps help retain product in inclined applications, especially where cleated belts are used. Ask your sales representative for more information.



Product Discharge Ramps

Discharge ramps are constructed with PVC tops and include all mounting hardware. They are available in two styles. The Lite Series ramp mounts on the siderail frame on both sides regardless of installed drive package style. The LP Series ramp, which mounts according to the installed drive package style, includes an adjustable arm and adaptive hardware to accommodate proper positioning.



Lite Series Ramp



LP Series Ramp

Conveyor Width Ref.	Lite Series Part No.	LP Series Part No.
02	20-7007	40-7007
03	20-7013	40-7008
04	20-7008	40-7009
06	20-7009	40-7010
08	20-7010	40-7011
10	20-7011	40-7012
12	20-7012	40-7013
14	20-7014	40-7015
16	20-7016	40-7017

Mounting Brackets

Lite Series Frame Mount



L Bracket, 0.125" alum. Mounts to existing 1/4-20 hole pattern. Conveyor installation hardware included.

Size	Part No.	LH	HH
2" x 2"	20-7030	1.82"	3.00"
2" x 3"	20-7031	2.44"	4.00"
2" x 4"	20-7032	3.57"	5.00"
2" x 5"	20-7033	4.57"	6.00"

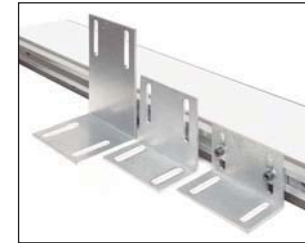
LP Series Frame Mount



L Bracket, 0.125" alum. Mounts to existing 10-32 holes. Conveyor installation hardware included.

Size	Part No.	LH	HH	FH
0.625" x 1.50"	40-7034	--	--	1.50"
2.00" x 1.50"	40-7035	2.37"	2.87"	--

LP Series T-Slot Mount



L Bracket, 0.125" aluminum. Mounts to the T-Slot Profile. Conveyor installation hardware included.

Size	Part No.	LH	HH
2" x 3"	40-7031	1.63"	3.12"
2" x 4"	40-7032	2.62"	4.12"
3" x 5"	40-7033	3.62"	5.12"

Note: Adjustment values stated are measured from the mounting surface to the conveyor belt surface. Abbreviations: LH = low height HH = high height FH = fixed height

Vertical-Surface Mount

This mounting system allows either Lite Series or LP Series conveyor to be mounted on a vertical surface. Mount brackets located on the crossbar attach to existing holes on the conveyor siderail frame. A mounting arm located on the support plate rotates for incline applications. Installation hardware included.



Part No.	Width
30-7081	02 - 12
30-7082	14 - 16

Product Guide Cushion

For Lite and LP Series conveyors, this 1/16" thk PVC extrusion snaps over siderail or side guide frame to prevent damage to sensitive parts. Cut to the ordered length and height for a custom fit. Sold by the stick.



Part No.	Platform
20-3070	Lite Series
40-3070	LP Series

T-Nuts

T-Nuts aid in attaching or adjusting accessories. For LP Series conveyors equipped with T-Slot side profiles, the 40-series T-Nuts are used. For Mini-Mover leg stands, the 30-series allow height adjustments. Additional T-Nut styles, not listed below, are also available.



40-7042 shown



30-3020 shown

Part No.	Thd	Use
40-7038	M6 x 1	LP Series
40-7041	10-32	LP Series
40-7042	1/4-20	LP Series
30-3020	10-32	Leg Stand
30-3021	1/4-20	Leg Stand
30-3022	5/16-18	Leg Stand

Conveyor Stands

Leg Stand

Leg stands are designed to fit all Mini-Mover conveyors of up to 16" width. They are constructed of heavy-duty aluminum material, with a 22" base width and include leveling feet. Standard adjustable heights are available from 13" to 52" in 6-inch increments. The standard Leg Stand comes with an upright mounting bracket for level conveyor usage. For incline/decline conveyor applications, the mounting bracket is angle-adjustable. Options include Cross Braces for added stability and Caster Assembly for added portability. Legs sold individually.

Upright Part No.	Incline Part No.	Height Adjustment
30-7058	30-7058-A	8" to 13" T.O.B.
30-7051	30-7051-A	13" to 16" T.O.B.
30-7052	30-7052-A	16" to 22" T.O.B.
30-7053	30-7053-A	22" to 28" T.O.B.
30-7054	30-7054-A	28" to 34" T.O.B.
30-7055	30-7055-A	34" to 40" T.O.B.
30-7056	30-7056-A	40" to 46" T.O.B.
30-7057	30-7057-A	46" to 52" T.O.B.



Incline version Angle adjustable



Upright (level) version

Cross Brace  
Leg Stand

Cross Brace

The Cross Brace option affords increased stability for applications using two leg stands. This is recommended for conveyor lengths of 42" or greater.

Sold individually

Part No.*	Length
30-7060	12" to 36"
30-7061	37" to 60"
30-7062	61" to 84"
30-7063	85" to 108"
30-7064	109" to 120"
30-7065	121" to 130"

\*These P/N denote general length ranges. A length-specific P/N is assigned once the exact length is identified when the stand is built.

Caster Assembly for Aluminum Stands

Part No. 30-7066

Sold in pairs

The locking caster assembly adds 3.4" to the leg stand's adjustable height and adds 4.5" to the base width. 360° swivel.



Conveyor Stands

Turned Base Stand

Aluminum construction, 28" base length. The base is turned parallel to conveyor to achieve a small footprint. Designed for light-duty applications. This type of stand is not recommended for conveyor lengths of 48" or longer. Adjustable heights are available from 13" to 34." Width of the stand's base will vary, according to the width of conveyor it is to support (see chart below.)

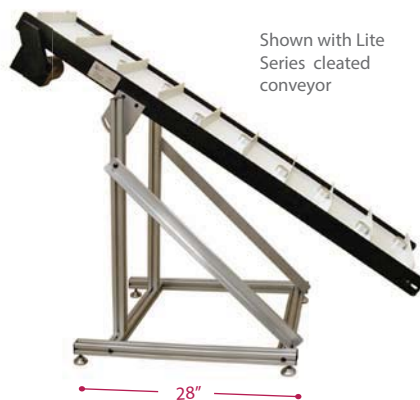


Upright Part No.	Incline Part No.	Height Adjustment	Conveyor Width	Stand Width at Base (w)
30-7551-1	30-7551-1A	13 - 16" T.O.B	1 - 8"	16"
30-7551-2	30-7551-2A	13 - 16" T.O.B	10 - 12"	20"
30-7551-3	30-7551-3A	13 - 16" T.O.B	14 - 16"	24"
30-7552-1	30-7552-1A	16 - 22" T.O.B	1 - 8"	16"
30-7552-2	30-7552-2A	16 - 22" T.O.B	10 - 12"	20"
30-7552-3	30-7552-3A	16 - 22" T.O.B	14 - 16"	24"
30-7553-1	30-7553-1A	22 - 28" T.O.B	1 - 8"	16"
30-7553-2	30-7553-2A	22 - 28" T.O.B	10 - 12"	20"
30-7553-3	30-7553-3A	22 - 28" T.O.B	14 - 16"	24"
30-7554-1	30-7554-1A	28 - 34" T.O.B	1 - 8"	16"
30-7554-2	30-7554-2A	28 - 34" T.O.B	10 - 12"	20"
30-7554-3	30-7554-3A	28 - 34" T.O.B	14 - 16"	24"



Single Base Stand

Heavy-duty aluminum construction. 25.5" wide x 28" long base with angled bracing and leveling feet. Fits conveyor widths to 16" and is height adjustable from 28" to 46." Conveyor mounting bracket is angle adjustable for incline / decline applications. This is not recommended for conveyors over 72" in length.



Part No.	Height Adjustment
30-7073	28" to 34" T.O.B.
30-7075	34" to 40" T.O.B.
30-7076	40" to 46" T.O.B.

The Single Base Stand may be equipped with the optional Caster Assembly, P/N 30-7066. (Refer to listing on pg. 15 for more caster information.)



Steel Base Stand

Heavy-duty 19.5" sq. steel base acts as a counterweight. Features 36" aluminum upright, mounting arm and leveling feet. Fits conveyor widths up to 16" and is height adjustable from 14" to 37" T.O.B. Incline angle adjustable to 40 degrees. Mounting arm may be located on any side of the upright column, but certain locations may require added counterweight. Optional casters available.



Part No.	Height Adjustment
30-7072	14" to 37" T.O.B.

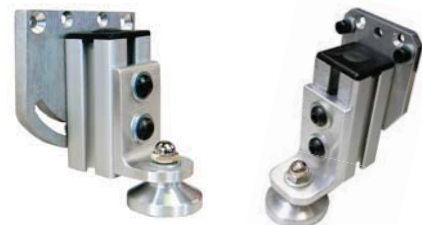
Caster Assembly for Steel Base Stand

Part No. 30-7078 (sold in sets of 4)  
Locking caster assembly adds 3" to stand's adjustable height. 360° swivel.



Shortie Stands

Our Shortie conveyor stands can bridge the height gap between Tabletop Feet and taller, adjustable Leg Stands.



Model	Upright Part No.	Upright Height Range	Incline Part No.	Incline Height Range
Lite	30-7560	3.97 - 6.98" T.O.B.	30-7560-A	4.58 - 6.27" T.O.B.
Lite	30-7561	3.97 - 8.73" T.O.B.	30-7561-A	4.58 - 8.02" T.O.B.
LP *	30-7560	4.03 - 7.04" T.O.B.	30-7560-A	4.50 - 6.20" T.O.B.
LP *	30-7561	4.03 - 8.79" T.O.B.	30-7561-A	4.50 - 7.95" T.O.B.

\* Note for LP Series: The height adjustment ranges shown here are for frame mounted stands. The range will differ slightly if the legs are mounted to the T-slot extrusion.

Tabletop Stands

Tabletop Foot Assembly

Part No.	Unit	Mount	Height Adjustment
30-7071	Lite	Standard	2.66" to 2.90" T.O.B.
Sold in pairs	Lite	Inverted	1.87" to 2.11" T.O.B.
	LP	Standard	2.75" to 2.99" T.O.B.
	LP	Inverted	1.97" to 2.21" T.O.B.

For free-standing Lite or LP Series conveyor setup on tabletop or other horizontal surface. Each foot mounts directly to the conveyor siderail. Non-marring foot inserts prevent table surface scuffing and keep unit firmly in place. All mount hardware included. Includes all hardware. Height adjustments can be made using both the foot screw and by installing the mounting bracket in the orientation that provides the desired TOB height and underframe clearance. For added height, see the Tabletop Foot Extenders.



Tabletop Foot Extenders

Part No. 30-6991 - 1-inch high  
30-6992 - 2-inch high

Sold in pairs

Option for the 30-7071 tabletop feet to add an extra inch or two of height while maintaining stability. All assembly hardware included.



## Rotary Table Accumulator Highlights

RTA Frame:	Extruded aluminum
Tabletop:	Polished PVC
Table Height:	Adjustable; see Specifications below
Roller Base:	19.5" square, steel, with heavy-duty locking casters
Part Stop Cushion:	Adjustable height and angle
Diverter Arm:	Adjustable height and angle
Rotating Fence:	Polished PVC, 3/4" high, non-adjustable perimeter

- Mini-Mover Rotary Table Accumulators (RTAs) were originally designed for the metalworking marketplace to promote unattended machine operation, separation of sensitive parts after machining and overnight "lights-out" operation.
- RTAs are well suited for various applications in assembly and packaging, such as cycle tolerance inspection, surge table on production lines and staging for manual or pick & place case packaging.
- Available RTA options: Stainless Steel Overlay for handling abrasive product. Stationary Fence option to convert to surge and transfer operations. Dual Paddle and Dual Rail options for various product handling needs.
- Now available: 12" diameter and 16" diameter RTA units.

### RTA Specifications by Model

Parameters	60-012	60-016	60-024	60-032	60-048
Table Diameter	12"	16"	24"	32"	48"
Unit Weight	85 lbs	85 lbs	95 lbs	120 lbs	145 lbs
Load Capacity	50 lbs	50 lbs	60 lbs	100 lbs	100 lbs
Rotation Options (rpm):					
Fixed Speed	1 or 3	1 or 3	1 or 3	1 or 3	—
Variable Speed	1 - 3	1 - 3	1 - 3	1 - 3	1 - 3
Height Options:					
A	—	—	—	20" - 28"	20" - 28"
B	—	—	—	28" - 36"	28" - 36"
C	—	—	—	36" - 42"	—
E	16" - 34"	16" - 34"	16" - 34"	—	—



Standard:  
RTA Model 60-024  
Single-Column Upright



Optional:  
RTA Models 60-012 and 60-016  
Single-Column Upright  
60-016 shown here



Standard:  
RTA Model 60-032  
Telescoping-Column Upright



Optional:  
RTA Model 60-032  
Telescoping-Column Upright  
Stationary Fence option  
with Double Rail system





RTA Model 60-048  
Telescoping-Column Upright



RTA Specifications by Model

Parameters	60-012	60-016	60-024	60-032	60-048
Table Diameter	12"	16"	24"	32"	48"
Unit Weight	85 lbs	85 lbs	95 lbs	120 lbs	145 lbs
Load Capacity	50 lbs	50 lbs	60 lbs	100 lbs	100 lbs
Rotation Options (rpm):					
Fixed Speed	1 or 3	1 or 3	1 or 3	1 or 3	—
Variable Speed	1 - 3	1 - 3	1 - 3	1 - 3	1 - 3
Height Options:					
A	—	—	—	20" - 28"	20" - 28"
B	—	—	—	28" - 36"	28" - 36"
C	—	—	—	36" - 42"	—
E	16" - 34"	16" - 34"	16" - 34"	—	—

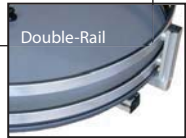
Rotary Table Options

Stationary-Fence Option

This factory option allows the RTA unit to serve as surge table or 90° transfer unit. This capability reduces the need for attended operation in production lines that intermittently stop and start.



Single-Rail System (with Overhead Single-Paddle)



Double-Rail

Style	24" 60-024	32" 60-032	48" 60-048
Single-Rail system	60-7224	60-7232	60-7248
Double-Rail system	60-7225	60-7233	60-7249

Stainless-Steel Overlay

For handling of abrasive parts or materials, the tough stainless-steel overlay can be equipped on the unit at the factory.



Part No.	Size	Model
60-7011	24" dia.	60-024
60-7012	32" dia.	60-032
60-7013	48" dia.	60-048

Overhead Paddle System

To best suit product collection needs, the standard diverter arm can be replaced with an Overhead Paddle Assembly. The assembly fits one or two adjustable diverter paddles.



Double-Paddle Assembly shown

RTA Model	P/N Single-Paddle	P/N Double-Paddle
	60-024	60-1011-024
60-032	60-1011-032	60-1012-032
60-048	60-1011-048	60-1012-048

Drip Pan Assembly

Part No. 60-7027

Option for RTA 60-024 only. This assembly includes a cross-arm mounting system for a customer-provided drip pan.



# Uni-Mate™

The Uni-Mate™ is a portable and economical bundling of rotary table accumulator and conveyor – ideal for unattended and overnight, lights-out operation. For manufacturing facilities with multiple shifts or varied machine-cell setups throughout the factory, the highly adjustable Uni-Mate™ is easy to transport, configure and operate.



Model 80-024  
Shown with 4" x 36" conveyor

## The Uni-Mate™ Advantages

- ▶ Half the cost, half the weight of competitive alternatives
- ▶ Portable & easy to re-purpose for different machines
- ▶ Lower cost than buying these Mini-Mover products separately

MODEL	STANDARD TABLE FEATURES	STANDARD CONVEYOR FEATURES
80-024	24" diameter PVC top 10.5" - 34" height adjustment range Gearmotor 1/12 hp, 60W BLDC 1-3 RPM variable-speed rotation Cycle /index timer Locking steel casters Diverter arm & cushion 19.5" square steel base Load capacity: 65 lbs Unit weight: 95 lbs	Choice of 4 conveyor dimensions: 4" x 36" (approx. wt. 15 lbs.) 6" x 36" (approx. wt. 20 lbs.) 4" x 48" (approx. wt. 20 lbs.) 6" x 48" (approx. wt. 25 lbs.)  2.50" high conveyor frame with integral 0.70" high side guides
80-032	32" diameter PVC top 10.5" - 42" height adjustment range Gearmotor 1/12 hp, 60W BLDC 1-3 RPM variable-speed rotation Cycle /index timer Locking steel casters Diverter arm & cushion 19.5" square steel base Load capacity: 100 lbs Unit weight: 120 lbs	Integral left-side mount gearmotor, 1/18 hp, 115/60 VAC 3 fpm fixed speed  Belt can stop-start in synch with table on a single cycle timer  1.25" dia. pulleys, crowned aluminum with double-sealed long-life bearings
80-048	48" diameter PVC top 10.5" - 36" height adjustment range Gearmotor 1/12 hp, 60W BLDC 1-3 RPM variable-speed rotation Cycle /index timer Locking steel casters Diverter arm & cushion 19.5" square steel base Load capacity: 100 lbs Unit weight: 145 lbs	Blue chemical & cut resistant belt with H0 (0.16" high) cleats, 6" spacing  Up to 45-degree adjustment range on connection to rotary table



Model 80-032  
Shown with 6" x 36" conveyor and Overhead Double Paddle option



Model 80-048  
Shown with 6" x 36" conveyor

80-24	80-32	80-48	Uni-Mate™ Options
•	•	•	Conveyor Drip Pan
•	-	-	Table Drip Pan
•	•	•	IP-65 gearmotors
•	•	•	U2 Sealed Belting (flat or cleated)
•	•	•	Table Base Extenders
•	•	•	Table Overhead Paddle System
•	•	•	Table Stainless Steel Overlay
•	•	•	Table Stationary Fence

# FAN MAIL FROM OUR CUSTOMERS

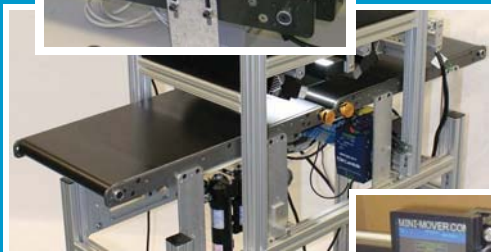


**PRODUCT TRANSFER**  
Lite Series conveyors  
LP Series conveyors

**CONVEYOR INTEGRATION**  
Lite Series conveyors  
LP Series conveyors



**LASER CODING SYSTEMS**  
LP Series conveyors



**VISION SYSTEMS**  
LP Series conveyors



**INK JET PRINT SYSTEMS**  
LP Series conveyors

“ When my customers have design questions, your sales engineers always provide the necessary ideas and help to sort it all out. You have made me a hero for saving my customers lots of time and especially money.”  
-- Applications engineer, major labeling integrator

“ With your rotary tables, we're running our parts lights-out with much more peace of mind. The parts no longer get all dinged up.”  
-- Plant manager, medical parts manufacturer

**ASSEMBLY AUTOMATION**  
Lite Series conveyors  
LP Series conveyors



“ We are very impressed with Mini-Mover Conveyors and use them exclusively in our bagging equipment. Very compact, quiet running, these offer rugged construction and are very cost effective. We use both the LP & Lite Series, which we easily integrated into both our automatic and manual feed bagging machines.”  
-- Manufacturing engineer, major tool maker

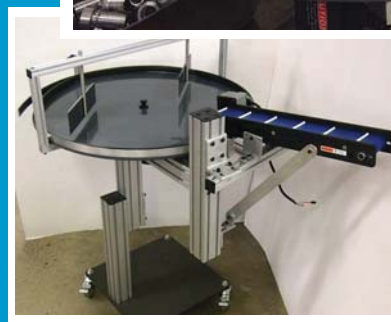
“ It was a lucky day when we found out about Mini-Mover Conveyors. We've been purchasing your Mini-Mover units to convert those of your competitor's. The conveyors are used in a wet and dirty environment and your competitor's equipment had been failing every 3 months due to oil migration. We have been using your units since 2004 in the same environment and have had no failures whatsoever. We wanted to make you aware of the satisfaction we have with your products.”  
-- Maintenance engineer, major aerospace manufacturer

**PRODUCT ACCUMULATION**

**UNATTENDED OPERATION  
LIGHTS-OUT OPERATION**  
with RTA units



**MACHINE INTEGRATION**  
Lite Series conveyors  
LP Series conveyors



**UNATTENDED OPERATION  
LIGHTS-OUT OPERATION**  
with Uni-Mate™



**MINI-MOVER CONVEYORS**

**Proudly made in the USA.**

division of Whipple Enterprises

21150 Shake Ridge Road, Volcano, CA 95689

Phone: 800-586-4585 Fax: 866-900-5124

Web: [www.mini-mover.com](http://www.mini-mover.com)

*Whipple Enterprises reserves the right to change or discontinue products and specifications with or without notice. All products are covered in accordance with our standard warranty.*

*© Mini-Mover Conveyors, div. of Whipple Ent. 2005-2019 All rights reserved*